

**Fifth
Wheel
Catalog**

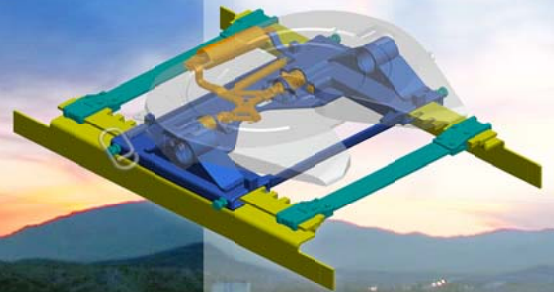
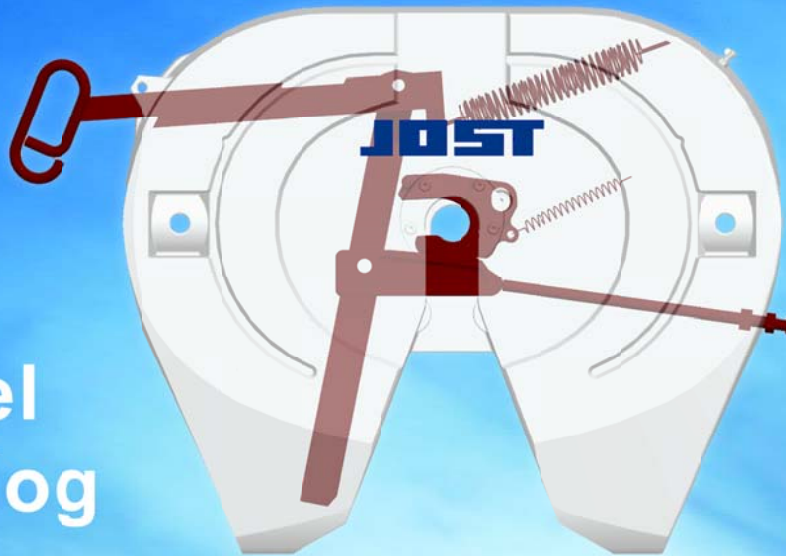
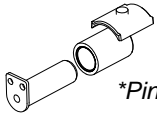
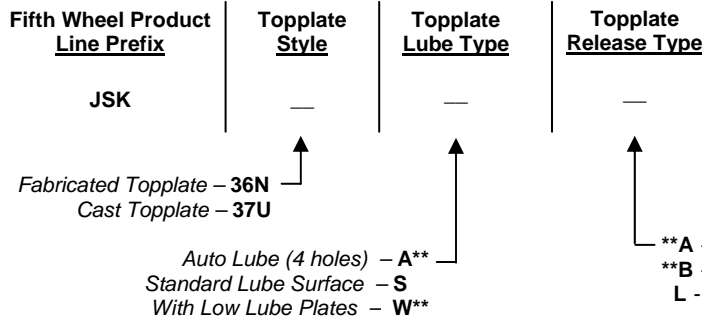




TABLE OF CONTENTS

| | <i>Pages</i> |
|---|--------------|
| STANDARD TOPPLATE SPECIFICATIONS | 1 |
| Fabricated Topplate JSK36NSL | 2 |
| Air Release Topplate | 3 |
| Cast Topplate JSK37U | 4 |
| Low Lube Topplate JSK37UW | 5 |
| Drop Handle & Internal Adjustment JSK37010 | 6 |
| SPECIAL ORDER TOPPLATE OPTIONS | 7 |
| YARD SPOTTER TOPPLATE SPECIFICATIONS | 8 |
| Yard Spotter Topplate JSK37Y | 9 |
| REPLACEMENT TOPPLATE SPECIFICATIONS | 10 |
| Replacement Topplate JSK37F/JSK37H | 11 |
| SLIDING FIFTH WHEEL ASSEMBLIES | 12-23 |
| Outboard Mount | 12-17 |
| Inboard Mount | 18-23 |
| STATIONARY FIFTH WHEEL ASSEMBLIES | 24-32 |
| Outboard Flat Plate Mount | 24-25 |
| Outboard Plate Mount | 26-27 |
| Inboard Angle Mount | 28-29 |
| Bracket for Angle Mount | 30-31 |
| Stationary Mounting Brackets | 32 |
| NO-TILT CONVERTIBLE | 33 |
| FIFTH WHEEL ACCESSORIES | 34-36 |
| Replacement Kits | 34 |
| Air Line Kits | 35 |
| Air Components | 36 |
| MOUNTING ACCESSORIES | 37-40 |
| Hardware Kits | 37 |
| Sliding Outboard Mounting Angle | 38 |
| Stationary Mounting Angles | 39 |
| Corrugated Mounting Plate | 40 |
| SERVICE TOOLS | 41 |

PART NUMBER MASTER



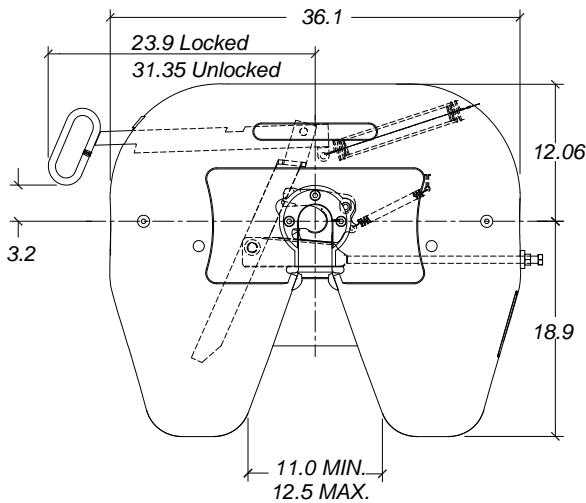
*Pins, bushings & collars not included when ordering topplate only.

**Option for 37U topplate only.

| Topplate Lube Type | Topplate Release Type | Weight | JOIST Model Number | Parts List found on page # |
|-------------------------|-----------------------|----------|------------------------------|-------------------------------|
| Standard | Left Hand Release | 210 lbs. | JSK 36NSL | Page 2 |
| Auto Lube (4 holes) | Air Release‡ | 246 lbs. | JSK 37UAA | Page 3 |
| | Left Hand Retractable | 242 lbs. | JSK 37UAB | Page 4 |
| | Left Hand Release | 240 lbs. | JSK 37UAL | Page 4 |
| Standard | Air Release‡ | 246 lbs. | JSK 37USA | Page 3 |
| | Left Hand Retractable | 242 lbs. | JSK 37USB | Page 4 |
| | Left Hand Release | 240 lbs. | JSK 37USL | Page 4 |
| With Low Lube Plates | Air Release‡ | 248 lbs. | JSK 37UWA | Page 3 & 5 |
| | Left Hand Retractable | 244 lbs. | JSK 37UWB | Page 5 |
| | Left Hand Release | 242 lbs. | JSK 37UWL | Page 5 |

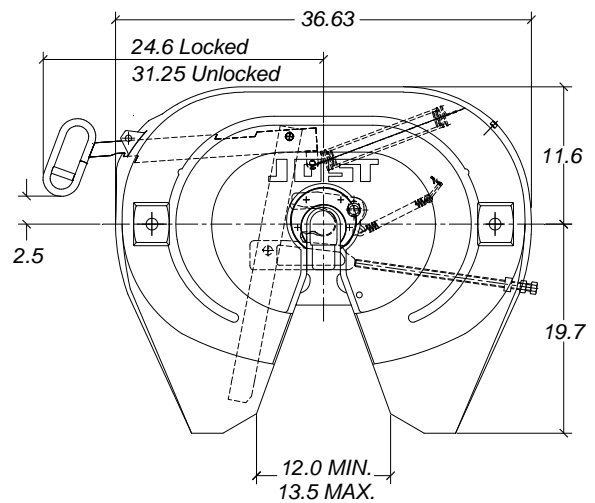
‡ Jost International recommends that our manifold assembly kit be installed with the Air Release because it contains important safety interlock components (see pg. 36)

DIMENSIONAL INFORMATION



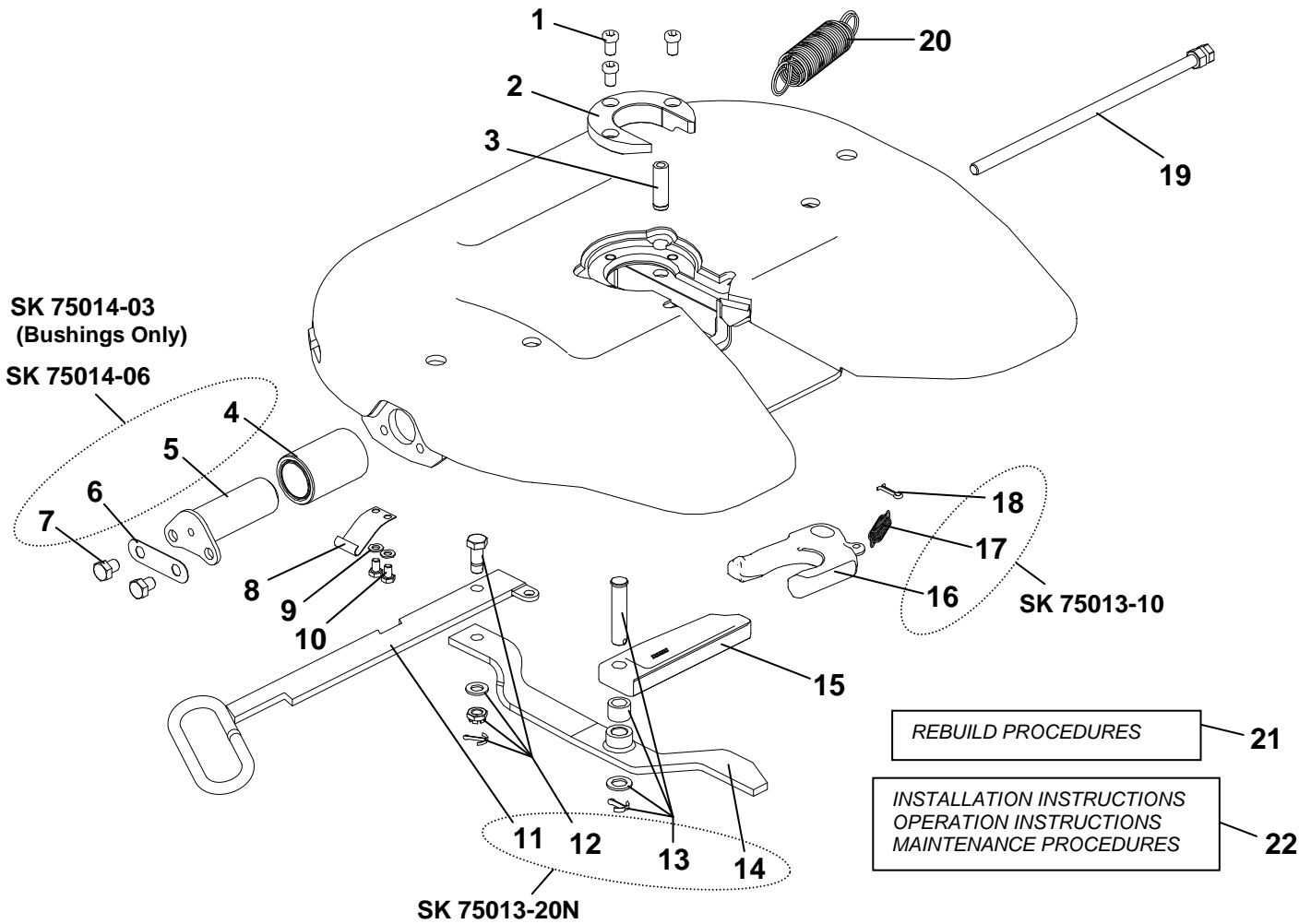
3.25 MIN
4.75 MAX.

36N
Fabricated Topplate



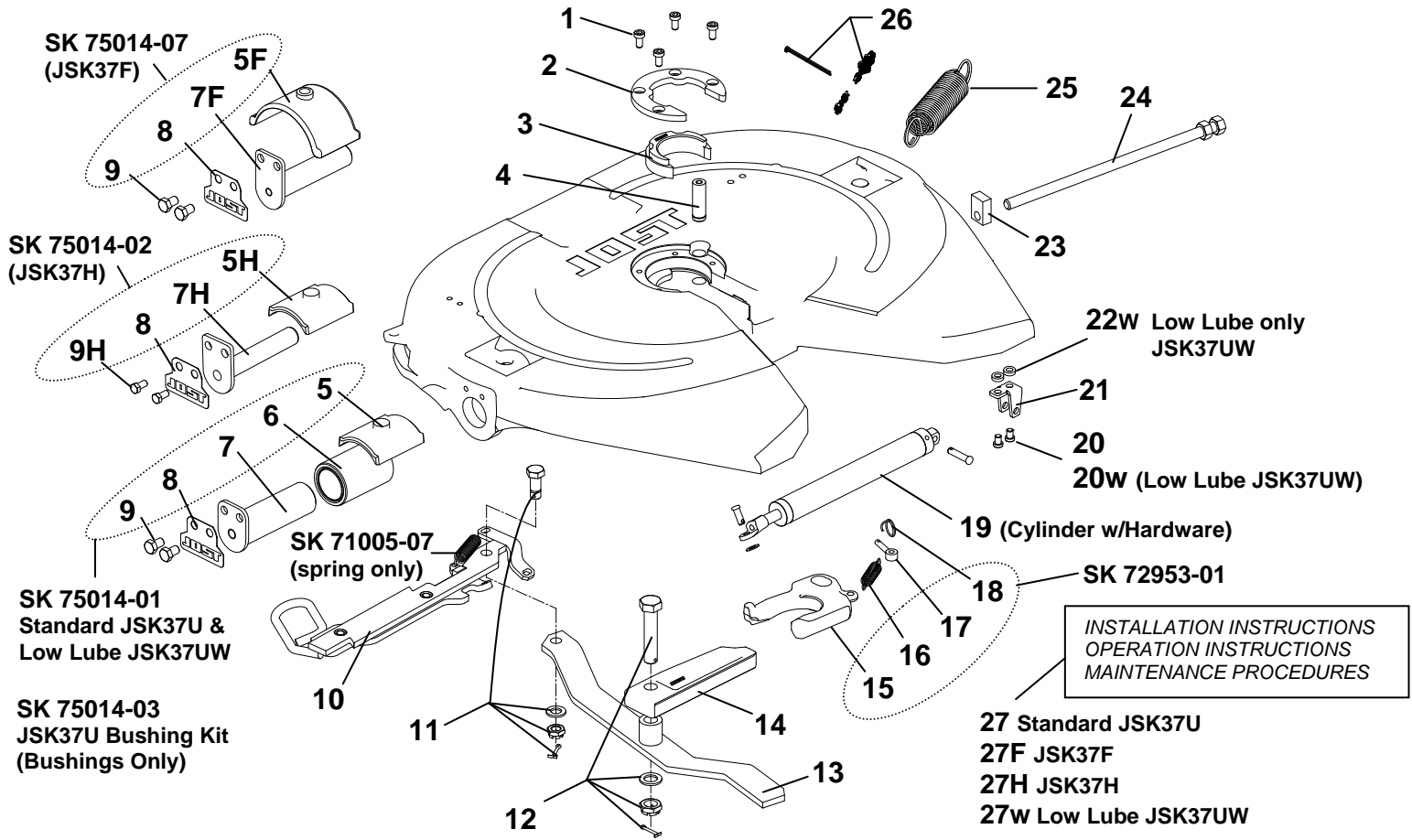
3.35 MIN
5.5 MAX.

37U
Cast Topplate



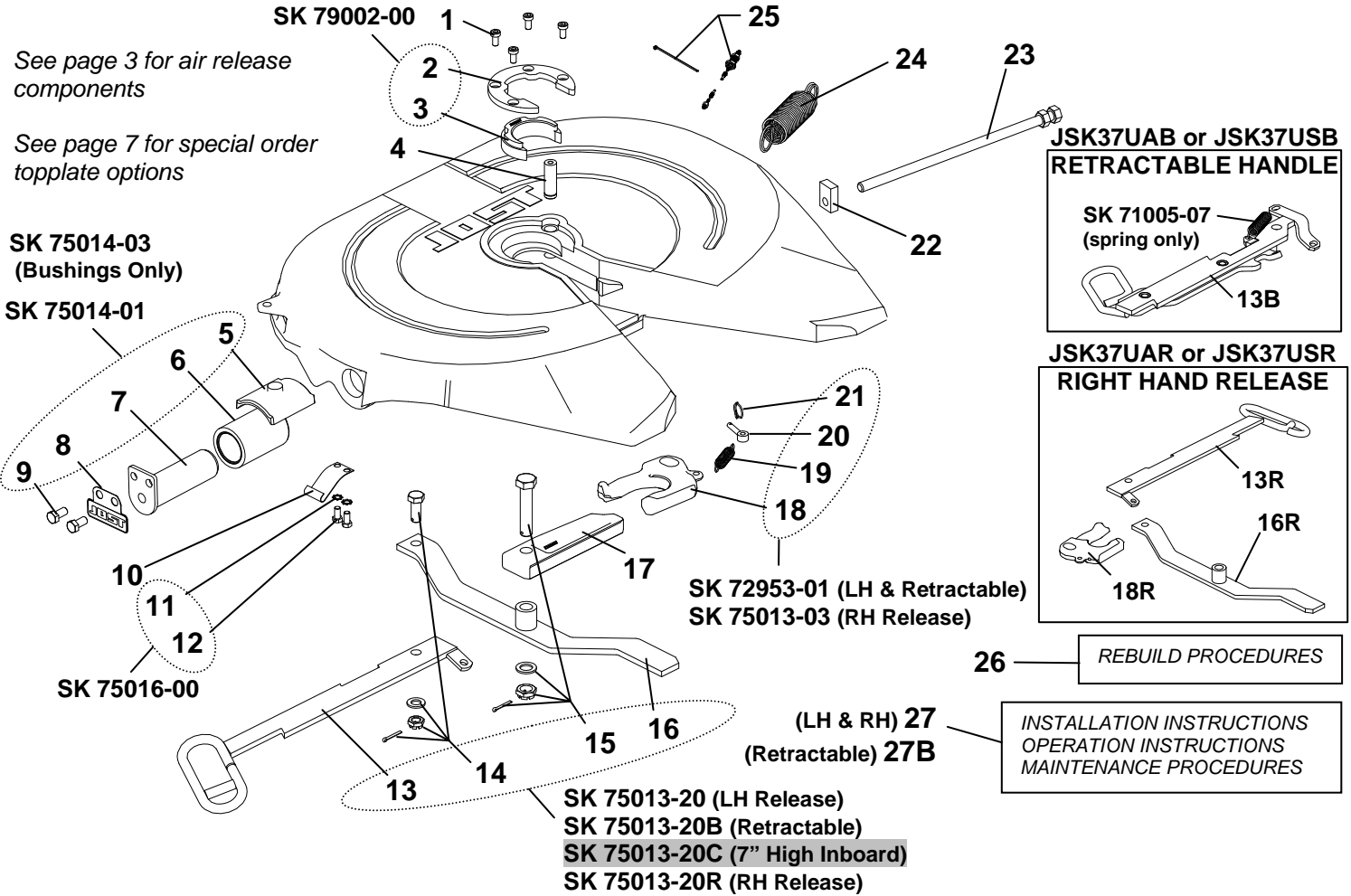
| Item | Description | Part No. | Item | Description | Part No. |
|------|---------------------------|-------------|------|------------------------------|-------------|
| 1 | Wear ring bolt | NT0000005 | 12 | Pivot bolt assembly | SK 3521-11 |
| 2 | Wear ring | SK 2105-19 | 13 | Locking bar bolt assembly | SK 2921-02 |
| 3 | Lock jaw pivot pin | SK 2106-67 | 14 | Lever | SK 2905-127 |
| 4 | Rubber Bushing | SK 2905-94 | 15 | Locking bar | SK 2905-06 |
| 5 | Bracket pin – Ø50mm | SK 79011-19 | 16 | Lock jaw | SK 1489L |
| 6 | Tab washer | SK 79026-02 | 17 | Lock jaw spring | SK 847 |
| 7 | 5/8-11 x 3/4 lg. Hex bolt | SK 70202-31 | 18 | Cotter pin | NT0000108 |
| 8 | Plate spring | SK 70993-00 | 19 | Adjusting screw with hex nut | SK 2905-51 |
| 9 | Washer | NT0000040 | 20 | Double tension spring | SK 3105-20 |
| 10 | Hex bolt | NT0016000 | 21 | Rebuild Procedures | LT SK36N-06 |
| 11 | Release handle | SK 2905-125 | 22 | Info Pack | SK 75020-13 |

| Major Rebuild Kit | | Minor Rebuild Kit (see pg. 34) | |
|---|--------|--|--------|
| Complete Topplate -L.H. Only <i>Includes Items 1-21 above</i> | | Cushion and Lock Jaw - L.H. Only <i>Includes Items 1- 3 &16-18</i> | |
| JOIST Order Number | Weight | JOIST Order Number | Weight |
| SK 75013-04 | 34 lbs | SK 75013-05 | 7 lbs |



| Item | Description | Part No. | Item | Description | Part No. |
|------|-------------------------------------|--------------|------|---|-------------|
| 1 | Cushion ring bolt | SK 73121-55 | 14 | Locking bar | SK 3205-06 |
| 2 | Retainer | SK 3105-93 | 15 | LH Lock jaw | SK 1489LZ |
| 3 | Cushion ring insert | SK 3105-92 | 16 | Lock jaw spring | SK 847 |
| 4 | Lock jaw pivot pin | SK 72106-67 | 17 | Eye bolt | SK 2106-69 |
| 5 | Collar (JSK37U) | SK 3105-95 | 18 | Ring | SK 2106-70 |
| 5F | Collar (JSK37F) | SK 79048-02 | 19 | Air cylinder w/hardware (see pg. 36) | SK 75015-05 |
| 5H | Collar (JSK37H) | SK 73105-95 | 20 | 3/8-16 x 1/2 lg. Low hd scr. | SK 70209-00 |
| 6 | Rubber Bushing | SK 2905-94 | 20w | 3/8-16 x 3/4 lg. Low hd scr. (Low Lube) | SK 73121-55 |
| 7 | Bracket pin (JSK37U) – Ø50mm | SK 79011-03 | 21 | Cylinder mount | SK 79020-05 |
| 7F | Bracket Pin (JSK37F) – Ø1-1/4" | SK 79011-12 | 22w | Cylinder mount spacer (Low Lube only) | SK 79020-11 |
| 7H | Bracket Pin (JSK37H) – Ø1-1/8" | SK 73104-05 | 23 | Guide piece | SK 73205-07 |
| 8 | Tab washer | SK 73104-47 | 24 | Adjusting screw with hex nut | SK 3105-151 |
| 9 | 1/2-13 x 3/4 lg. Hex bolt (37F&37U) | SK 70202-15 | 25 | Double tension spring | SK 3105-20 |
| 9H | 3/8-16 x 3/4 lg. Hex bolt (JSK37H) | SK 73121-28B | 26 | Lubricating kit | SK 3108-02 |
| 10 | Retractable handle w/spring | SK 75016-04 | 27 | Info pack (standard JSK37U) | SK 75020-09 |
| 11 | Pivot bolt assembly | SK 71513 | 27F | Info pack (standard JSK37F) | SK 75020-22 |
| 12 | Locking bar bolt assembly | SK 73221-01 | 27H | Info pack (standard JSK37H) | SK 75020-14 |
| 13 | LH Lever w/chamfer | SK 3105-140 | 27w | Info pack (standard JSK37UW) | SK 75020-12 |

| Major Rebuild Kit | | | Minor Rebuild Kit (see pg. 34) | |
|--|------------------------------|---------|--|--------|
| Complete Topplate Includes Items 1-27 above | | | Cushion and Lock Jaw Includes Items 1-4, 15-18 & 26 above | |
| Topplate | JOIST Order Number | Weight | JOIST Order Number | Weight |
| 37FAA, 37FSA | SK 75013-27 | 35 lbs. | SK 73221-50Z | 6 lbs. |
| 37HAA, 37HSA | SK 75013-18 | 35 lbs. | | |
| 37UAA, 37USA | SK 75013-16 | 33 lbs. | | |
| 37UWA | SK 75013-19 | 33 lbs. | | |



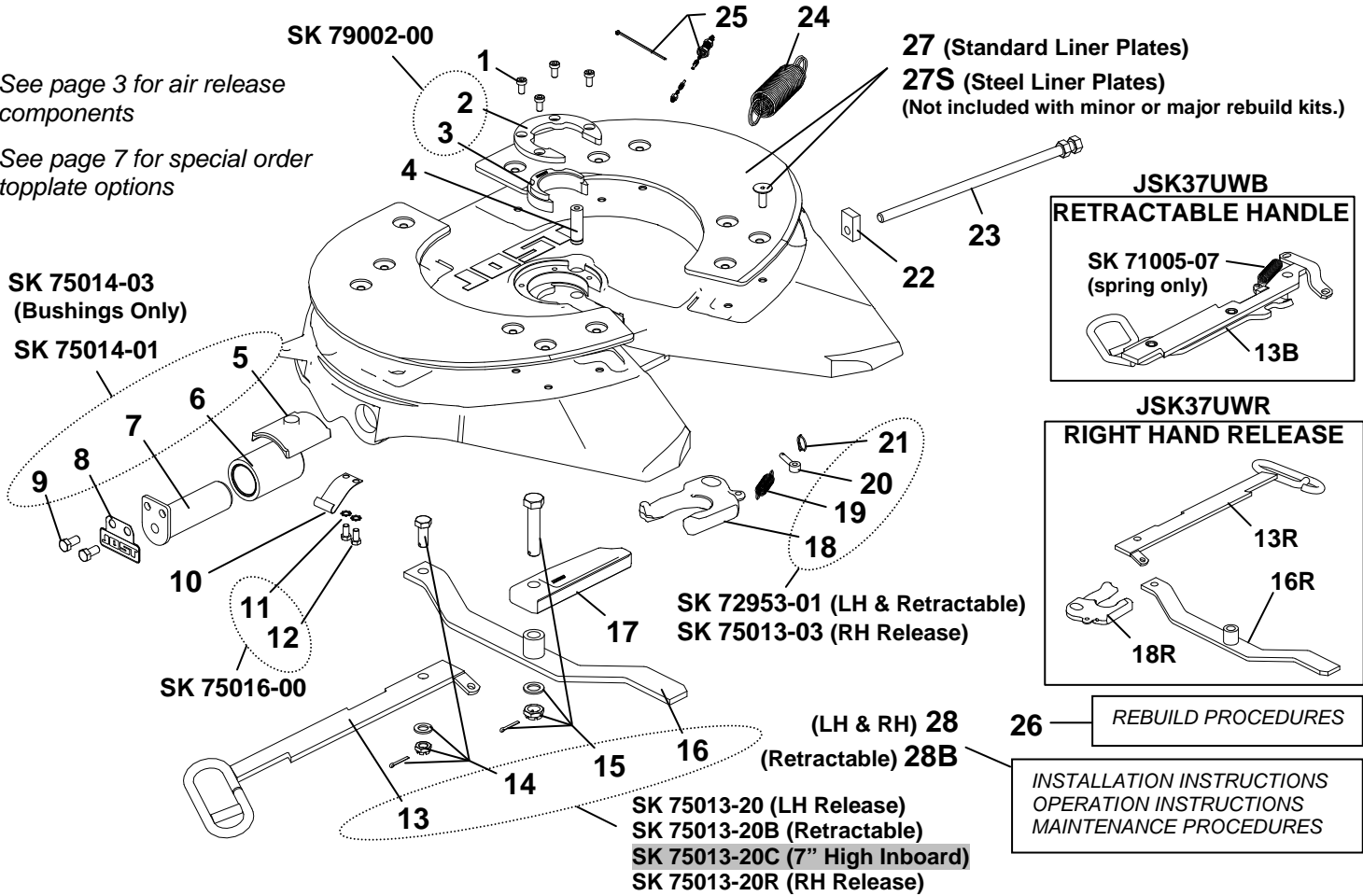
| Item | Description | Part No. | Item | Description | Part No. |
|------|-----------------------------|-------------|------|------------------------------|-------------|
| 1 | Cushion ring bolt | SK 73121-55 | 15 | Locking bar bolt assembly | SK 73221-01 |
| 2 | Retainer | SK 3105-93 | 16 | LH Lever with bushing | SK 3105-140 |
| 3 | Cushion ring insert | SK 3105-92 | 16C | LH Lever - 7" high inboard | SK 79003-00 |
| 4 | Lock jaw pivot pin | SK 72106-67 | 16R | RH Lever with bushing | SK 3105-18 |
| 5 | Collar | SK 3105-95 | 17 | Locking bar | SK 3205-06 |
| 6 | Bushing | SK 2905-94 | 18 | LH Lock jaw | SK 1489LZ |
| 7 | Bracket pin - Ø50mm | SK 79011-03 | 18R | RH Lock jaw | SK 1489Z |
| 8 | Tab washer | SK 73104-47 | 19 | Lock jaw spring | SK 847 |
| 9 | 1/2-13 x 3/4 lg. Hex bolt | SK 70202-15 | 20 | Eye bolt | SK 2106-69 |
| 10 | Plate spring | SK 70993-00 | 21 | Ring | SK 2106-70 |
| 11 | External tooth lock washer | SK 70301-00 | 22 | Guide piece | SK 73205-07 |
| 12 | Hex bolt | SK 70202-09 | 23 | Adjusting screw with hex nut | SK 3105-151 |
| 13 | LH Release handle | SK 73105-15 | 24 | Double tension spring | SK 3105-20 |
| 13B | Retractable Handle w/spring | SK 75016-04 | 25 | Lubricating kit | SK 3108-02 |
| 13R | RH Release handle | SK 79009-27 | 26 | Rebuild Procedures | LT JSK37-03 |
| 14 | Pivot bolt assembly | SK 71513 | 27 | Info Pack (LH & RH Release) | SK 75020-01 |
| | | | 27B | Info Pack (Retractable) | SK 75020-05 |

| Major Rebuild Kit | | | Minor Rebuild Kit (see pg. 34) | |
|--|--------------|---------|--|--------|
| Complete Topplate Includes Items 1-26 above | | | Cushion and Lock Jaw Includes Items 1-4, 18-21 & 25 above | |
| Model number | Order Number | Weight | Order Number | Weight |
| 37UAB, 37USB | SK 75013-09 | 35 lbs. | SK 73221-50Z | 6 lbs. |
| 37UAL, 37USL | SK 75013-00 | 33 lbs. | | |
| 37UAR, 37USR | SK 75013-01 | 33 lbs. | | |
| | | | SK 75013-02 | 6 lbs. |

*See part number master on page 1 for complete part number options.

See page 3 for air release components

See page 7 for special order topplate options



| Item | Description | Part No. | Item | Description | Part No. |
|------|-----------------------------|--------------|------|---------------------------------|-------------|
| 1 | Cushion ring bolt | SK 73121-55 | 16 | LH Lever with bushing | SK 3105-140 |
| 2 | Retainer | SK 3105-93 | 16C | LH Lever – 7" high inboard | SK 79003-00 |
| 3 | Cushion ring insert | SK 3105-92 | 16R | RH Lever with bushing | SK 3105-18 |
| 4 | Lock jaw pivot pin | SK 72106-67 | 17 | Locking bar | SK 3205-06 |
| 5 | Collar | SK 3105-95 | 18 | LH Lock jaw | SK 1489LZ |
| 6 | Bushing | SK 2905-94 | 18R | RH Lock jaw | SK 1489Z |
| 7 | Bracket pin – Ø50mm | SK 79011-03 | 19 | Lock jaw spring | SK 847 |
| 8 | Tab washer | SK 73104-47 | 20 | Eye bolt | SK 2106-69 |
| 9 | 1/2-13 x 3/4 lg. Hex bolt | SK 70202-15 | 21 | Ring | SK 2106-70 |
| 10 | Plate spring | SK 70993-00 | 22 | Guide piece | SK 73205-07 |
| 11 | External tooth lock washer | SK 70301-00 | 23 | Adjusting screw with hex nut | SK 3105-151 |
| 12 | Hex bolt | SK 73121-28B | 24 | Double tension spring | SK 3105-20 |
| 13 | LH Release handle | SK 73105-15 | 25 | Lubricating kit | SK 3108-02 |
| 13B | Retractable Handle w/spring | SK 75016-04 | 26 | Rebuild Procedures | LT JSK37-03 |
| 13R | RH Release handle | SK 79009-27 | 27 | Liner plates & Bolts (Standard) | SK 3106-003 |
| 14 | Pivot bolt assembly | SK 71513 | 27S | Liner plates & Bolts (Steel) | SK 79004-01 |
| 15 | Locking bar bolt assembly | SK 73221-01 | 28 | Info Pack (LH & RH) | SK 75020-02 |
| | | | 28B | Info Pack (Retractable) | SK 75020-11 |

| Major Rebuild Kit | | | Minor Rebuild Kit (see pg. 34) | |
|---------------------------|--------------|---------|--------------------------------------|--------|
| Complete Rebuild Kit | | | Cushion and Lock Jaw | |
| Includes Items 1-26 above | | | Includes Items 1-4, 18-21 & 25 above | |
| Model number | Order Number | Weight | Order Number | Weight |
| 37UWB | SK 75013-09 | 35 lbs. | SK 73221-50Z | 6 lbs. |
| 37UWL | SK 75013-00 | 33 lbs. | | |
| 37UWR | SK 75013-01 | 33 lbs. | | |

*See part number master on page 1 for complete part number options.

SK 75013-12
PARTS NOT INCLUDED IN
MAJOR REBUILD KIT BELOW

SK 75014-03
(Bushings Only)

SK 75014-01

SK 75016-00

SK 75013-20D

SK 75016-01

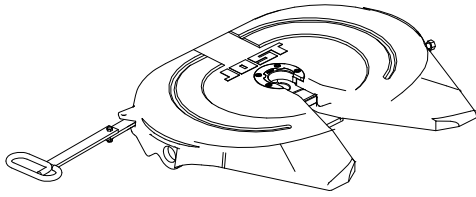
SK 72953-01

REBUILD PROCEDURES

INSTALLATION INSTRUCTIONS
OPERATION INSTRUCTIONS
MAINTENANCE PROCEDURES

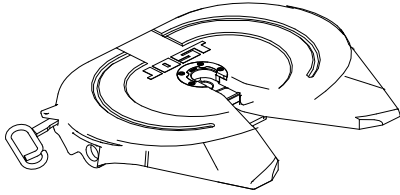
| Item | Description | Part No. | Item | Description | Part No. |
|------|----------------------------|--------------|------|--------------------------------|-------------|
| 1 | Cushion ring bolt | SK 73121-55 | 18 | LH Release handle | SK 73105-15 |
| 2 | Retainer | SK 3105-93 | 19 | Pivot bolt assembly | SK 71513 |
| 3 | Cushion ring insert | SK 3105-92 | 20 | Locking bar bolt assembly LH | SK 73221-01 |
| 4 | Lock jaw pivot pin | SK 72106-67 | 21 | Drop handle lever with bushing | SK 79024-03 |
| 5 | 3/8-16 Lock nut | SK 70401-02 | 22 | Locking bar | SK 3205-06 |
| 6 | Flat washer | SK 70302-05 | 23 | Lubricating kit | SK 3108-02 |
| 7 | Drop handle guide | SK 79024-02 | 24 | LH Lock jaw | SK 1489LZ |
| 8 | Cover plate | SK 79024-01 | 25 | Lock jaw spring | SK 847 |
| 9 | 3/8-16 x 2" lg. Hex bolt | SK 70202-14 | 26 | Eye bolt | SK 2106-69 |
| 10 | Collar | SK 3105-95 | 27 | Ring | SK 2106-70 |
| 11 | Bushing | SK 2905-94 | 28 | Jam nut | NT 0000201 |
| 12 | Bracket pin - Ø50mm | SK 79011-03 | 29 | Lock Washer | SK 70303-63 |
| 13 | Tab washer | SK 73104-47 | 30 | Guide piece | SK 73205-07 |
| 14 | 1/2-13 x 3/4 lg. Hex bolt | SK 70202-15 | 31 | Internal adjusting screw | SK 79010-02 |
| 15 | Plate spring | SK 70993-01 | 32 | Double tension spring | SK 3105-20 |
| 16 | External tooth lock washer | SK 70301-00 | 33 | Rebuild Procedures | LT JSK37-03 |
| 17 | Hex bolt | SK 73121-28B | 34 | Info Pack | SK 75020-03 |

| Major Rebuild Kit | | Minor Rebuild Kit (see pg. 34) | |
|---|---------|--|--------|
| Complete Rebuild Kit Includes Items 1-4 & 10-33 above | | Cushion and Lock Jaw Includes Items 1-4, 23-27 above | |
| Order Number | Weight | Order Number | Weight |
| SK 75013-11 | 33 lbs. | SK 73221-50Z | 6 lbs. |



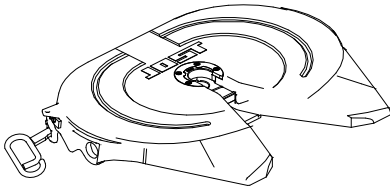
Release Handle extended to improve accessibility when using fenders.
Option is available with all mounting configurations.

| Extended Handle | | |
|------------------------------|-------------------------------------|----------|
| JOST Order Number* | Topplate Style | Weight |
| JSK 37001 | Standard L.H. Release | 242 lbs. |
| JSK 37002 | Low Lube L.H. Release | 244 lbs. |
| JSK 37003 | Holland™ Replacement Topplate | 242 lbs. |



Adjustment Screw located under the Topplate to hide from view and avoid Kingpin damage when a miscouple occurs.
Option is available with all mounting configurations.

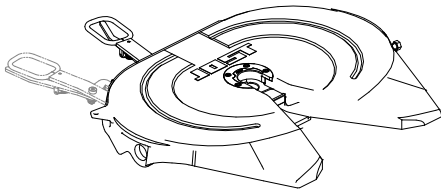
| Internal Adjustment | | |
|------------------------------|-------------------------------------|----------|
| JOST Order Number* | Topplate Style | Weight |
| JSK 37015 | Standard L.H. Release | 240 lbs. |
| JSK 37020 | Standard Air Release | 246 lbs. |
| JSK 37017 | Holland™ Replacement Topplate | 240 lbs. |



Release handle lowered and Adjustment Screw located under the Topplate to avoid Kingpin damage when a miscouple occurs.
Option is only available with stationary mounts above 6" high (see page 32).

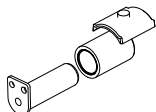
| Drop Handle & Internal Adjustment | | |
|--|--------------------------|----------|
| JOST Order Number* | Topplate Style | Weight |
| JSK 37010 | Standard L.H. Release | 240 lbs. |

See page 6 for parts list



Release handle located in the front of the fifth wheel.
Option is only available with stationary mounts above 6" high (see page 32).

| Front Release | | |
|------------------------------|----------------|----------|
| JOST Order Number* | Topplate Style | Weight |
| JSK 37009 | Auto Lube | 240 lbs. |
| JSK 37012 | Standard | 246 lbs. |
| JSK 37013 | Low Lube | 242 lbs. |



*Pins, bushings & collars not included when ordering the topplate only.

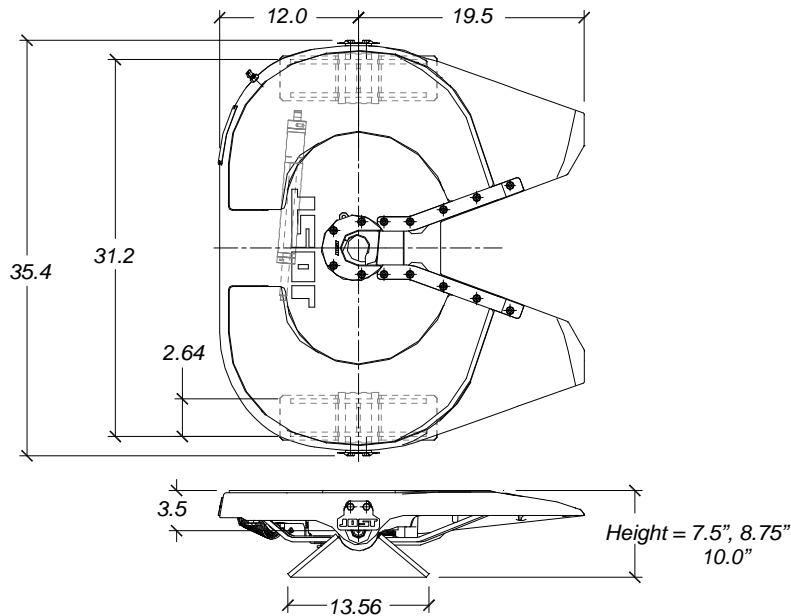
*Order numbers listed are for topplate assemblies only. To order fifth wheel assemblies add the desired mounting configuration number to the end of the topplate assembly (Example: JSK 37001-A7PX24).

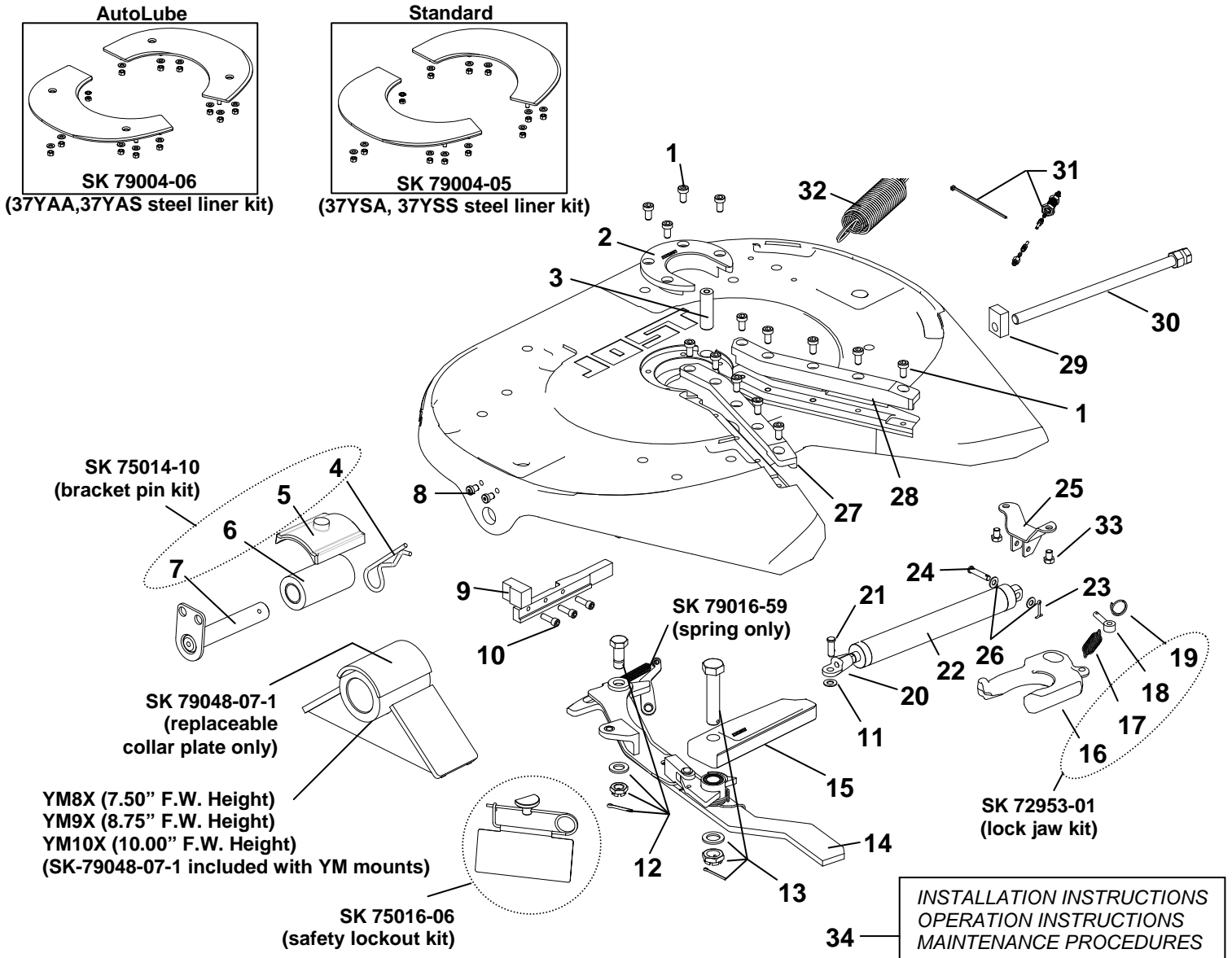
PART NUMBER MASTER

| | TOPPLATE | | | | BRACKET | |
|------------------------------------|-------------------|---|--|---|--|---|
| Fifth Wheel Product Line Prefix | Topplate Style | Topplate Lube Type | Topplate Release Type | Bracket Style | Height | Frame Width |
| JSK | 37Y | — | — | — | — | — |
| | | ↑ | ↑ | ↑ | ↑ | ↑ |
| | | Auto Lube Surface – A Standard Surface – S | Air Release – A Air Release w/Lockout – S | Bracket mount – YM “H” Replacement – H | 8 – 7.5” 9 – 8.75” 10 – 10.0” Leave Blank – “H” replacement | X – None Leave Blank – “H” replacement |

| Topplate Lube Type | Topplate Release Type | Weight | JOIST Model Number | Parts List found on page # |
|------------------------|------------------------------|----------|------------------------------|----------------------------|
| Auto Lube (4 holes) | Air Release | 313 lbs. | JSK 37YAA-YM8X | Page 9 |
| | | 318 lbs. | JSK37YAA-YM9X | |
| | | 322 lbs. | JSK37YAA-YM10X | |
| | Air Release w/Safety Lockout | 313 lbs. | JSK 37YAS-YM8X | Page 9 |
| | | 318 lbs. | JSK37YAS-YM9X | |
| | | 322 lbs. | JSK37YAS-YM10X | |
| Standard | Air Release | 313 lbs. | JSK 37YSA-YM8X | Page 9 |
| | | 318 lbs. | JSK37YSA-YM9X | |
| | | 322 lbs. | JSK37YSA-YM10X | |
| | Air Release w/Safety Lockout | 313 lbs. | JSK 37YSS-YM8X | Page 9 |
| | | 318 lbs. | JSK37YSS-YM9X | |
| | | 322 lbs. | JSK37YSS-YM10X | |
| “H” Auto Lube | Air Release | 280 lbs. | JSK37YAA-H | Page 9 |
| | Air Release w/Safety Lockout | 280 lbs. | JSK37YAS-H | |
| “H” Standard | Air Release | 280 lbs. | JSK37YSA-H | Page 9 |
| | Air Release w/Safety Lockout | 280 lbs. | JSK37YSS-H | |

DIMENSIONAL INFORMATION

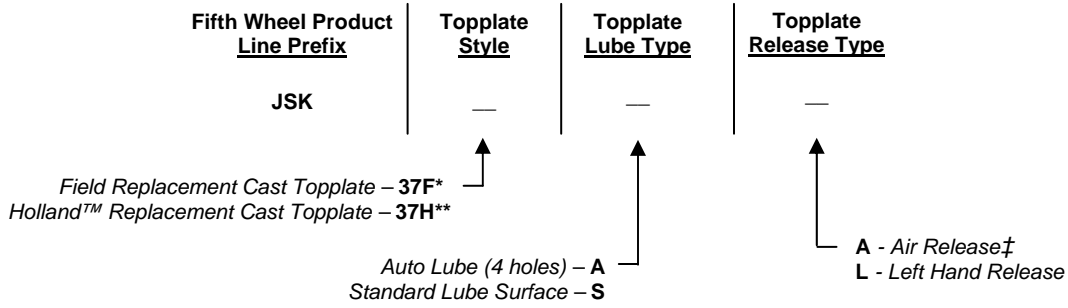




| Item | Description | Part No. | Item | Description | Part No. | Item | Description | Part No. |
|------|------------------------|-------------|------|----------------------|-------------|------|-----------------------|-------------|
| 1 | Cushion ring bolt | SK 73121-55 | 13 | Locking bar bolt kit | SK 73221-01 | 25 | Cylinder bracket | SK 79016-71 |
| 2 | Cushion Ring | SK 79002-01 | 14 | Release arm asm | SK 79016-62 | 26 | Washer | SK 70302-03 |
| 3 | Lock jaw pivot pin | SK 72106-67 | 15 | Locking bar | SK 79053-00 | 27 | LH Throat guide | SK 79052-02 |
| 4 | Hair pin | SK 70107-01 | 16 | LH Lock jaw | SK 1489LZ | 28 | RH Throat guide | SK 79052-01 |
| 5 | Collar | SK 73105-95 | 17 | Lock jaw spring | SK 847 | 29 | Guide piece | SK 73205-07 |
| 6 | Bushing | SK 79016-75 | 18 | Eye bolt | SK 2106-69 | 30 | Adjusting screw w/nut | SK 79010-05 |
| 7 | Bracket pin - Ø 1-1/8" | SK 79016-76 | 19 | Ring | SK 2106-70 | 31 | Lubricating kit | SK 3108-02 |
| 8 | Bracket pin bolt | SK 79016-79 | 20 | Cylinder clevis | SK 79020-06 | 32 | Double tension spring | SK 3105-20 |
| 9 | Lock/Unlock plate | SK 79016-22 | 21 | Clevis pin | SK 70105-01 | 33 | 3/8-16 Hex Bolt | SK 70202-32 |
| 10 | 5/16-18 SHCS | SK 70204-08 | 22 | Cylinder | SK 79020-04 | 34 | Info Pack | SK 75020-21 |
| 11 | Flat Washer | SK 70302-02 | 23 | Clevis pin | SK 70102-08 | | | |
| 12 | Pivot bolt kit | SK 71513 | 24 | Cotter pin | SK 70101-03 | | | |

| Major Rebuild Kit | | | Minor Rebuild Kit | |
|---|------------------------------|--------|--|--------|
| Complete Rebuild Kit | | | Throat and Lock Jaw | |
| <i>Includes Items 1-33 above with steel liner kit</i> | | | <i>Includes Items 1-3, 16-19, 27-28 & 31</i> | |
| Model Number | JOIST Order Number | Weight | JOIST Order Number | Weight |
| 37YAA, 37YAS | SK 75013-34 | 53 lbs | SK 75013-24 | 16 lbs |
| 37YSA, 37YSS | SK 75013-23 | 53 lbs | | |

PART NUMBER MASTER



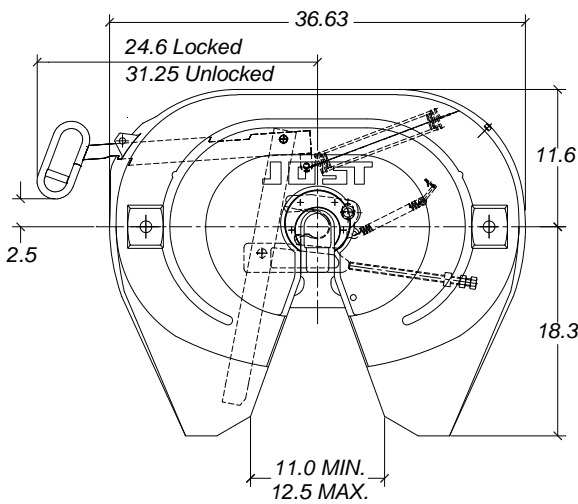
* The JSK37F topplate increases fifth wheel height by 5/16".

**The JSK37H topplate increases fifth wheel height by 3/4".

| Topplate Lube Type | Topplate Release Type | Weight | Model Number | Parts List found on page # |
|------------------------|-----------------------|----------|------------------|----------------------------|
| Auto Lube (4 holes) | Air Release‡ | 246 lbs. | JSK 37FAA | Page 3 |
| | Left Hand Release | 240 lbs. | JSK 37FAL | Page 11 |
| Standard | Air Release‡ | 246 lbs. | JSK 37FSA | Page 3 |
| | Left Hand Release | 240 lbs. | JSK 37FSL | Page 11 |
| Auto Lube (4 holes) | Air Release‡ | 246 lbs. | JSK 37HAA | Page 3 |
| | Left Hand Release | 240 lbs. | JSK 37HAL | Page 11 |
| Standard | Air Release‡ | 246 lbs. | JSK 37HSA | Page 3 |
| | Left Hand Release | 240 lbs. | JSK 37HSL | Page 11 |

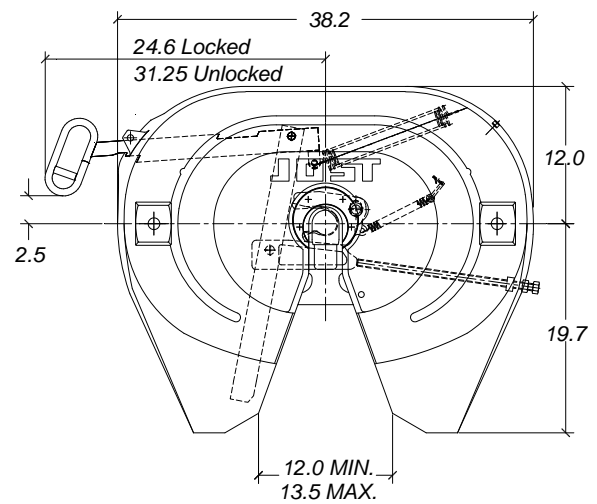
‡ Jost International recommends that our manifold assembly kit be installed with the Air Release because it contains important safety interlock components (see pg. 36)

DIMENSIONAL INFORMATION



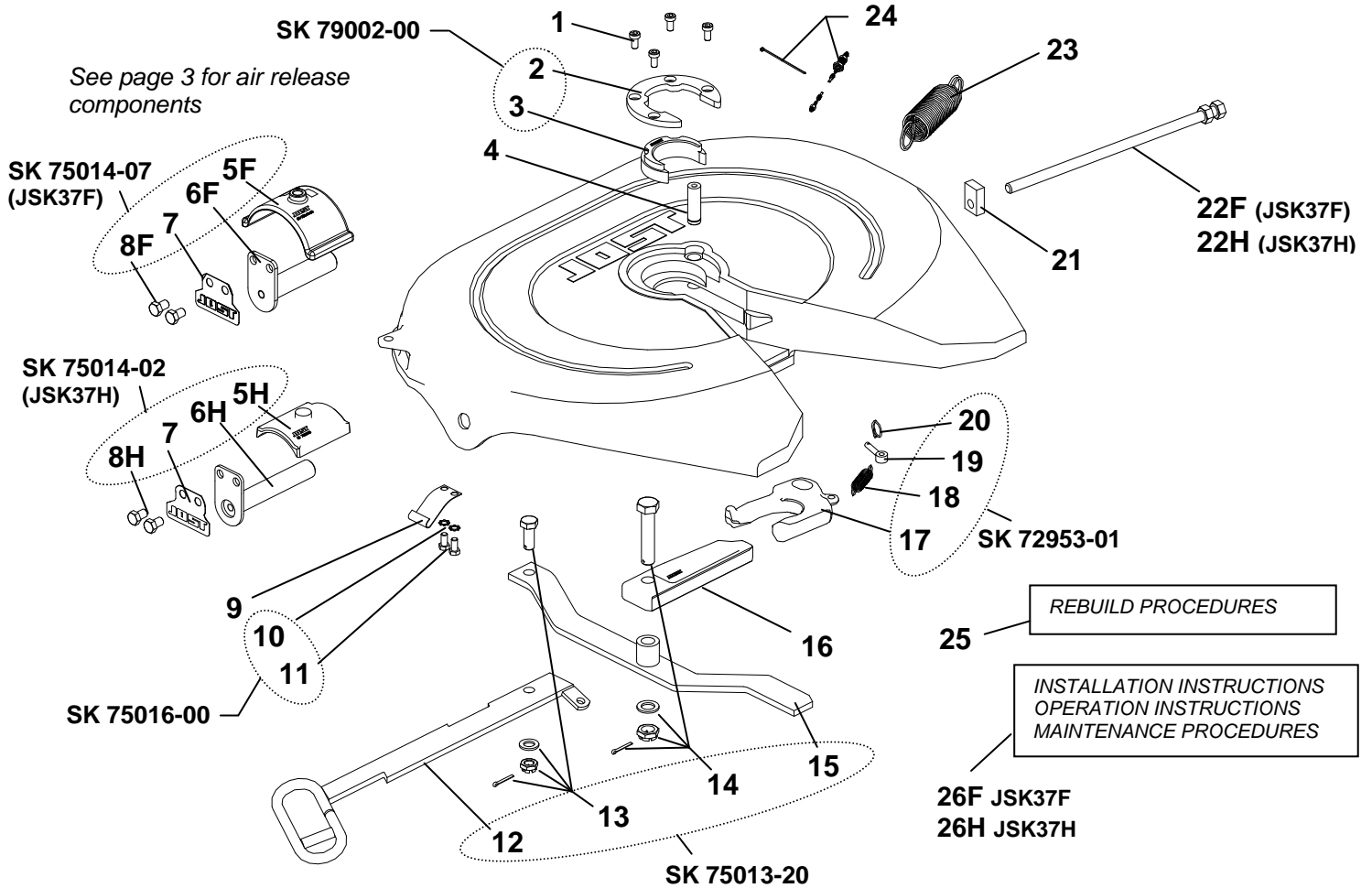
37F

Field Replacement Cast Topplate*



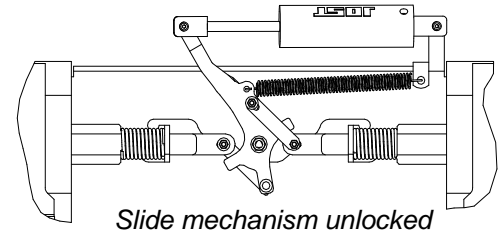
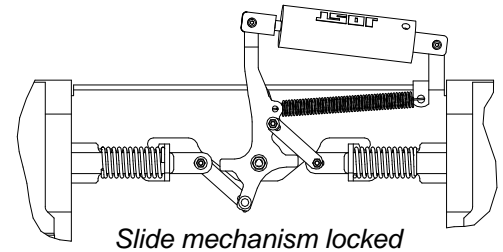
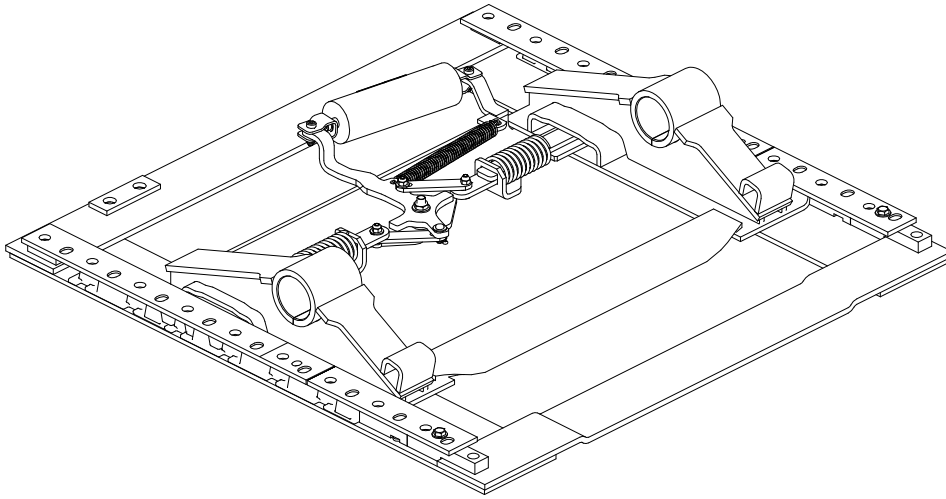
37H

Holland™ Replacement Cast Topplate**



| Item | Description | Part No. | Item | Description | Part No. |
|------|------------------------------------|--------------|------|-----------------------------|-------------|
| 1 | Cushion ring bolt | SK 73121-55 | 14 | Locking bar bolt assembly | SK 73221-01 |
| 2 | Retainer | SK 3105-93 | 15 | Lever with bushing | SK 3105-140 |
| 3 | Cushion ring insert | SK 3105-92 | 16 | Locking bar | SK 3205-06 |
| 4 | Lock jaw pivot pin | SK 72106-67 | 17 | Lock jaw | SK 1489LZ |
| 5F | Collar (JSK37F) | SK 79048-02 | 18 | Lock jaw spring | SK 847 |
| 5H | Collar (JSK37H) | SK 73105-95 | 19 | Eye bolt | SK 2106-69 |
| 6F | Bracket Pin (JSK37F) – Ø1-1/4" | SK 79011-12 | 20 | Ring | SK 2106-70 |
| 6H | Bracket Pin (JSK37H) – Ø1-1/8" | SK 73104-05 | 21 | Guide piece | SK 73205-07 |
| 7 | Tab washer | SK 73104-47 | 22F | Adjusting screw (JSK37F) | SK 79010-07 |
| 8F | 1/2-13 x 3/4 lg. Hex bolt (JSK37F) | SK 70202-15 | 22H | Adjusting screw (JSK37H) | SK 3105-151 |
| 8H | 3/8-16 x 3/4 lg. Hex bolt (JSK37H) | SK 73121-28B | 23 | Double tension spring | SK 3105-20 |
| 9 | Plate spring | SK 70993-00 | 24 | Lubricating kit | SK 3108-02 |
| 10 | External tooth lock washer | SK 70301-00 | 25 | Rebuild Procedures | LT JSK37-03 |
| 11 | Hex bolt | SK 70202-09 | 26F | Info pack (standard JSK37F) | SK 75020-22 |
| 12 | Release handle | SK 73105-15 | 26H | Info pack (standard JSK37H) | SK 75020-14 |
| 13 | Pivot bolt assembly | SK 71513 | | | |

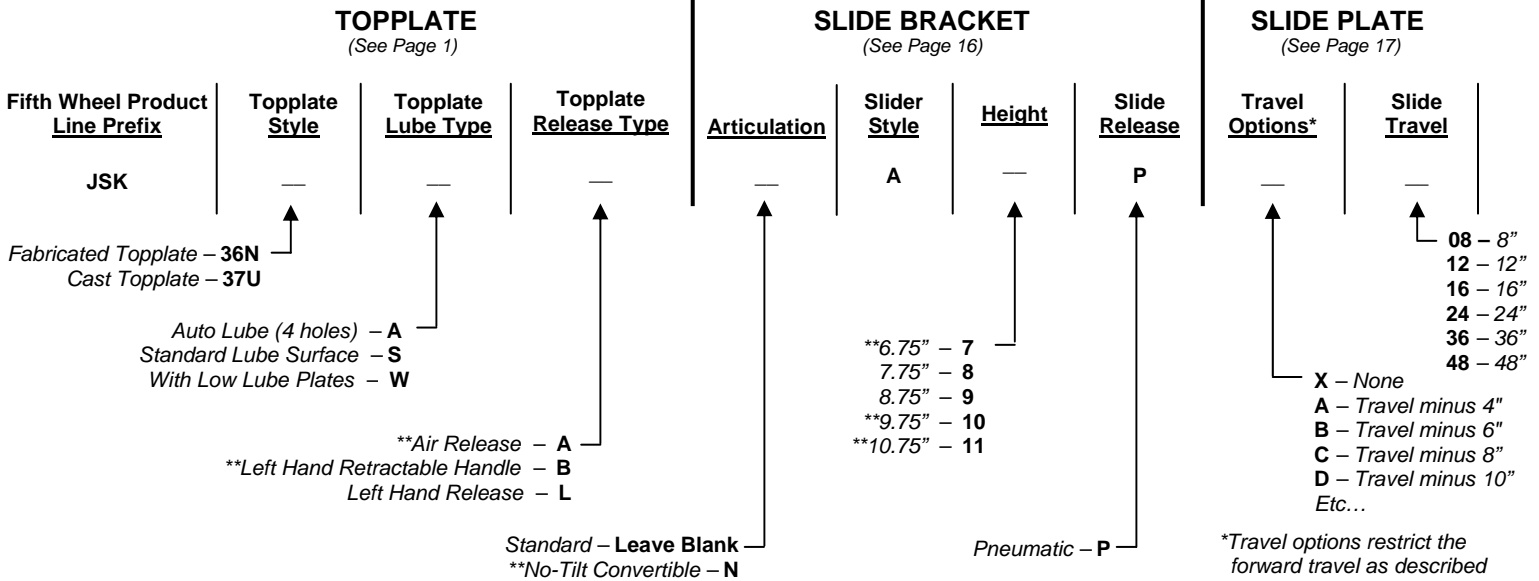
| Major Rebuild Kit | | | Minor Rebuild Kit <i>(see pg. 34)</i> | |
|---|------------------------------|---------|--|--------|
| Complete Rebuild Kit <i>Includes Items 1-25 above</i> | | | Cushion and Lock Jaw <i>Includes Items 1-4, 17-20 & 24 above</i> | |
| Topplate | JOIST Order Number | Weight | JOIST Order Number | Weight |
| 37FSL | SK 75013-14 | 33 lbs. | SK 73221-50Z | 6 lbs. |
| 37HSL | SK 73221-52Z | 33 lbs. | | |

**CAPACITY:**

*50,000 maximum vertical load.
150,000 maximum drawbar pull.*

FEATURES:

- **MADE IN U.S.A. – BY **JOST****
- *Allows adjustment for vehicle combination lengths and tractor axle load distribution.*
- *Lightweight high strength low alloy construction that allows you to maximize payloads.*
- *Maintenance free construction allows for maximum equipment utilization.*
- *Slide travel is adjustable in 2" increments for precise positioning of fifth wheel.*
- *Release mechanism features an in-line secondary lock, assures positive, safe locking.*
- *Available in popular heights and slide travels.*
- *Automatic spring loaded adjustment of locking plungers.*
- *Composite cylinder and rod for long trouble free life.*
- *Maintenance-free pivot eliminates routine lubrication requirements.*
- *Upshock cushion reduces impact and provides torsional relief between tractor and trailer.*

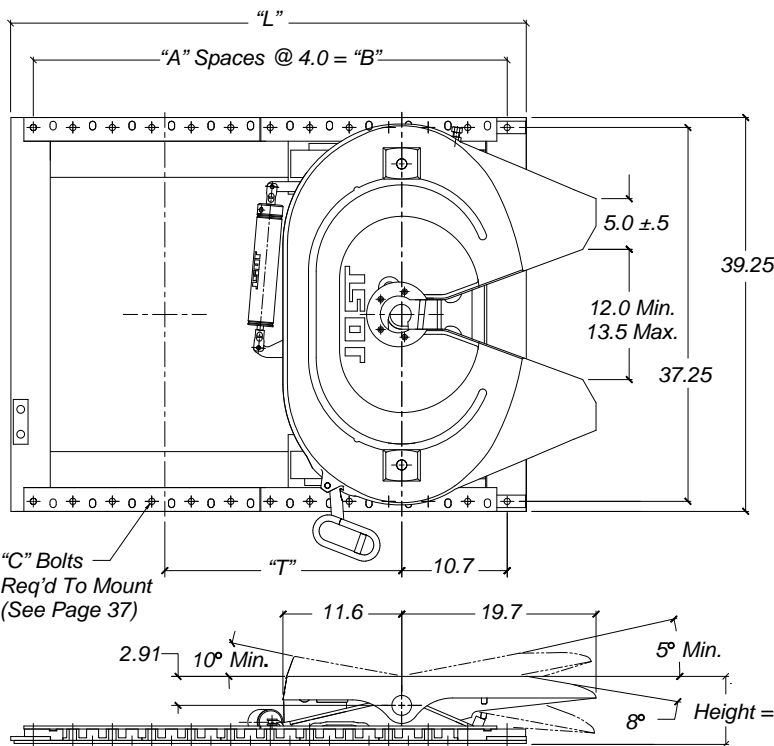


** No-Tilt Convertible option is not available with 7", 10" or 11" height Slide Brackets, with the Retractable Handle Release or Air release. See page 33 for details.

Example: JSK 37USL-A7PX24

For a fixed weld in stop specify "X" and select the desired travel length from the chart below.

DIMENSIONAL INFORMATION



| Dim "T" Travel | Dim "L" Length | Bolt Pattern | | |
|----------------|----------------|--------------|-----|-----|
| | | "A" | "B" | "C" |
| 8" | 36 ¼" | 8 | 32" | 18 |
| 12" | 40 ¼" | 9 | 36" | 20 |
| 16" | 44 ¼" | 10 | 40" | 22 |
| 24" | 52 ¼" | 12 | 48" | 26 |
| 36" | 64 ¼" | 15 | 60" | 32 |
| 48" | 76 ¼" | 18 | 72" | 38 |

| | Weld in Slide Stops | | | | | |
|----------------------------------|---------------------|-----|-----|-----|-----|-----|
| | Original Travel | | | | | |
| Available Reduced Travel Options | 8" | 12" | 16" | 24" | 36" | 48" |
| | 6" | 10" | 14" | 22" | 34" | 46" |
| | - | - | - | 20" | 32" | 44" |
| | - | - | - | 18" | 30" | 42" |
| | - | - | - | - | 28" | 40" |

Example: JSK 37USL-A7PX10

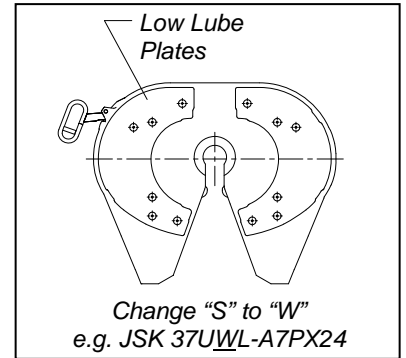
12" travel slider restricted to 10" of forward travel

"T" = Slide Travel

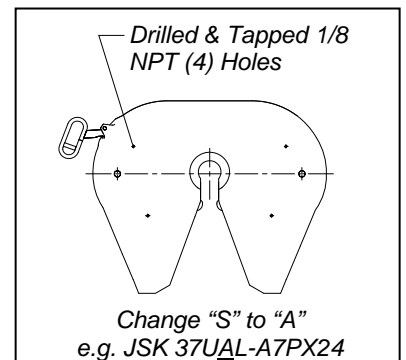
"L" = Overall Length = Length of Mounting Angle (See Page 38)

| Travel | Height | Weight | JOIST Model Number † |
|--------|--------|----------|--------------------------------|
| 8" | 6.75 | 452 lbs. | JSK 37USL-A7PX08 |
| | 7.75 | 458 lbs. | JSK 37USL-A8PX08 |
| | 8.75 | 465 lbs. | JSK 37USL-A9PX08 |
| | 9.75 | 485 lbs. | JSK 37USL-A10PX08 |
| | 10.75 | 497 lbs. | JSK 37USL-A11PX08 |
| 12" | 6.75 | 460 lbs. | JSK 37USL-A7PX12 |
| | 7.75 | 463 lbs. | JSK 37USL-A8PX12 |
| | 8.75 | 470 lbs. | JSK 37USL-A9PX12 |
| | 9.75 | 490 lbs. | JSK 37USL-A10PX12 |
| | 10.75 | 502 lbs. | JSK 37USL-A11PX12 |
| 16" | 6.75 | 466 lbs. | JSK 37USL-A7PX16 |
| | 7.75 | 469 lbs. | JSK 37USL-A8PX16 |
| | 8.75 | 476 lbs. | JSK 37USL-A9PX16 |
| | 9.75 | 496 lbs. | JSK 37USL-A10PX16 |
| | 10.75 | 508 lbs. | JSK 37USL-A11PX16 |
| 24" | 6.75 | 480 lbs. | JSK 37USL-A7PX24 |
| | 7.75 | 483 lbs. | JSK 37USL-A8PX24 |
| | 8.75 | 490 lbs. | JSK 37USL-A9PX24 |
| | 9.75 | 510 lbs. | JSK 37USL-A10PX24 |
| | 10.75 | 522 lbs. | JSK 37USL-A11PX24 |
| 36" | 6.75 | 500 lbs. | JSK 37USL-A7PX36 |
| | 7.75 | 503 lbs. | JSK 37USL-A8PX36 |
| | 8.75 | 510 lbs. | JSK 37USL-A9PX36 |
| | 9.75 | 530 lbs. | JSK 37USL-A10PX36 |
| | 10.75 | 542 lbs. | JSK 37USL-A11PX36 |
| 48" | 6.75 | 520 lbs. | JSK 37USL-A7PX48 |
| | 7.75 | 523 lbs. | JSK 37USL-A8PX48 |
| | 8.75 | 530 lbs. | JSK 37USL-A9PX48 |
| | 9.75 | 550 lbs. | JSK 37USL-A10PX48 |
| | 10.75 | 562 lbs. | JSK 37USL-A11PX48 |

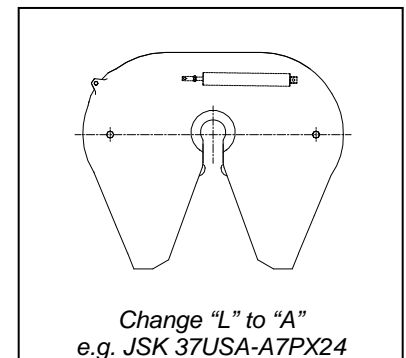
Low Lube Plates



Auto Lube

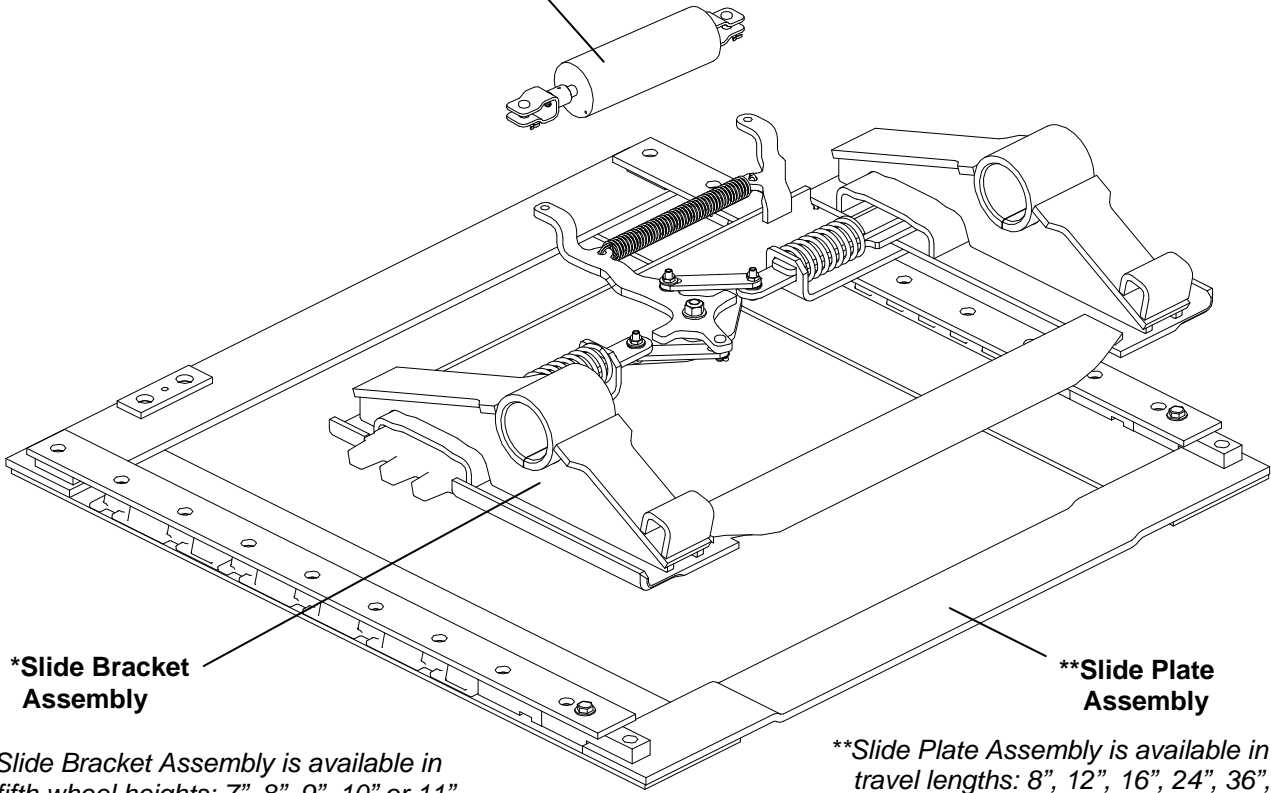


Air Release



† Model numbers shown have cast topplate, left hand release and air slide.

Air cylinder not included, order
SK 75015-03 (see pg. 36)



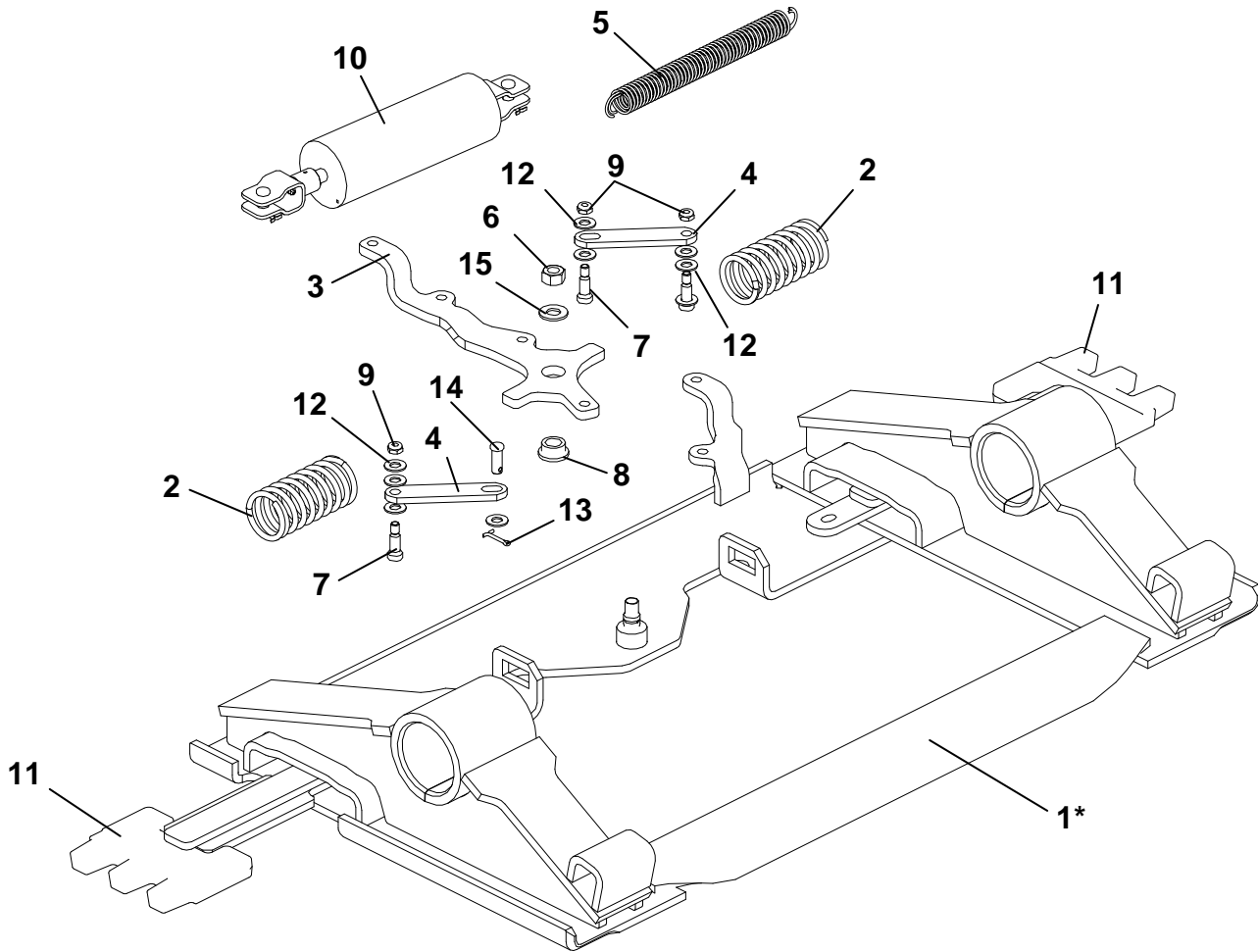
*Slide Bracket Assembly is available in fifth wheel heights: 7", 8", 9", 10" or 11". See chart below for order numbers and see page 16 for details.

**Slide Plate Assembly is available in standard travel lengths: 8", 12", 16", 24", 36", 48". See chart below for order numbers and see page 17 for details.

| To Order Slide Bracket Assembly Only | | |
|--------------------------------------|-----------------|----------|
| JOST Order Number | Height | Weight |
| A7P | 7" F.W. Height | 103 lbs. |
| A8P | 8" F.W. Height | 109 lbs. |
| A9P | 9" F.W. Height | 116 lbs. |
| A10P | 10" F.W. Height | 136 lbs. |
| A11P | 11" F.W. Height | 148 lbs. |

| To Order Slide Plate Assembly Only | | |
|------------------------------------|------------|----------|
| JOST Order Number | Travel | Weight |
| X08 | 8" Travel | 92 lbs. |
| X12 | 12" Travel | 100 lbs. |
| X16 | 16" Travel | 106 lbs. |
| X24 | 24" Travel | 120 lbs. |
| X36 | 36" Travel | 140 lbs. |
| X48 | 48" Travel | 160 lbs. |

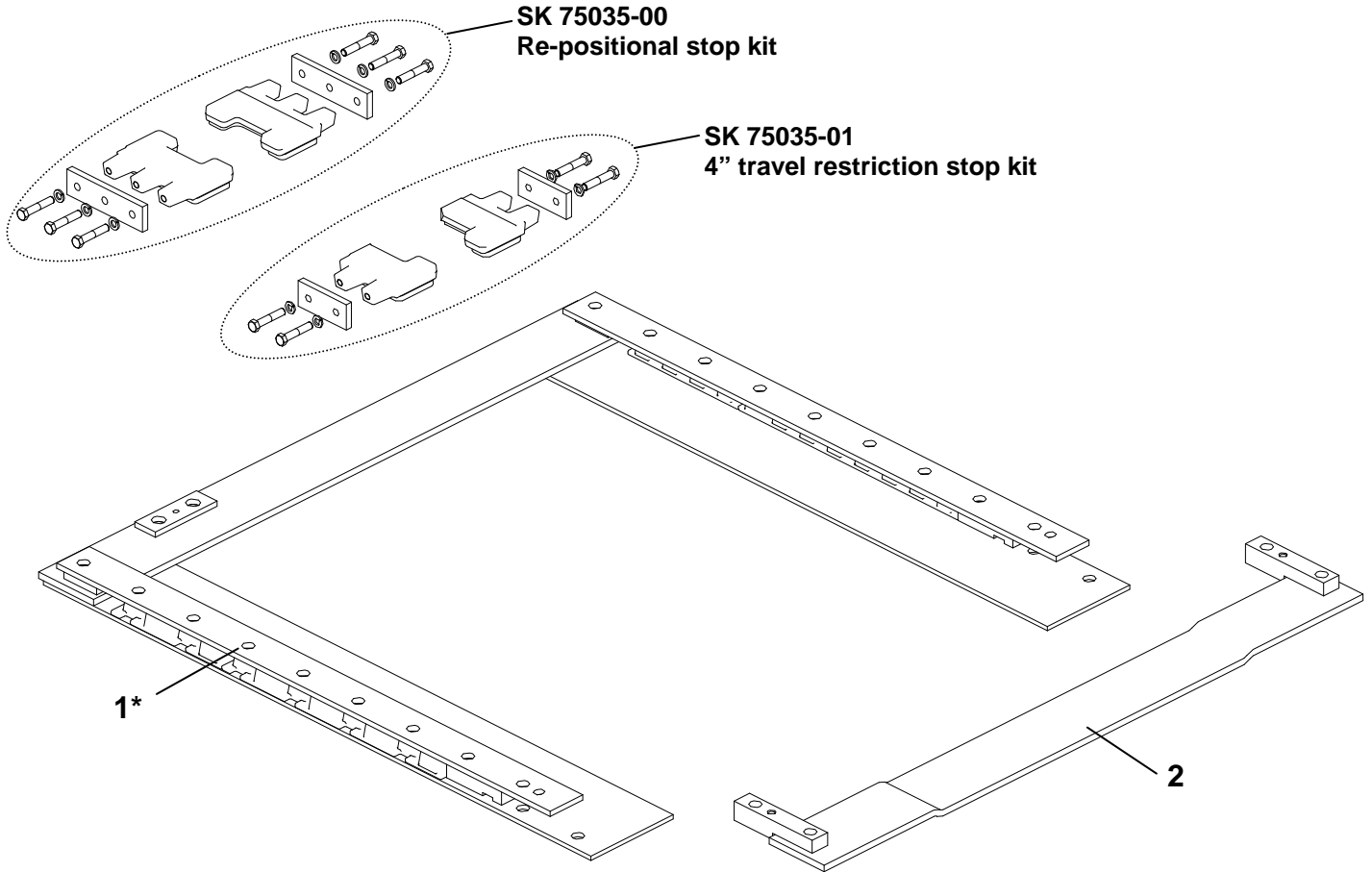
Slide Bracket Assembly



| Item | Description | Part No. | Item | Description | Part No. |
|------|------------------------------|-------------|------|-------------------------------|-------------|
| 1 | Slide bracket* | SK 77001-xx | 9 | 5/16-18 Lock Nut | SK 70402-01 |
| 2 | Spring | SK 77293-00 | 10 | Cylinder Assembly (see pg 36) | SK 75015-03 |
| 3 | Pivot Arm | SK 77289-00 | 11 | Plunger | SK 77007-01 |
| 4 | Pivot Linkage | SK 77290-00 | 12 | Flat Washer | SK 70302-05 |
| 5 | Double Coil Spring | V2026100 | 13 | Cotter Pin | SK 70101-01 |
| 6 | 1/2-13 Lock Nut | SK 70401-03 | 14 | 3/8 Dia. Clevis Pin | SK 70102-00 |
| 7 | 3/8 Dia.x 3/4 Shoulder Screw | SK 70201-09 | 15 | Flat Washer | SK 70302-02 |
| 8 | Flanged Bearing | SK 77292-00 | | | |

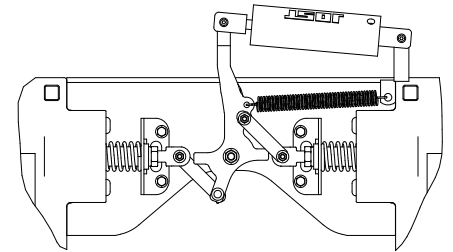
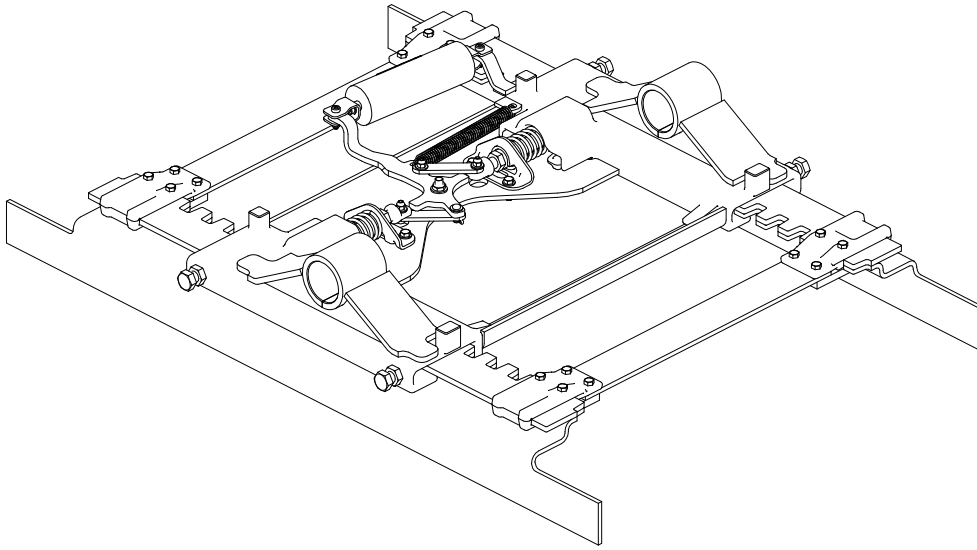
*Item #1 available in fifth wheel heights: 7", 8", 9", 10" or 11". Replace XX in part number with appropriate height (e.g. SK 77001-08).

Slide Plate Assembly

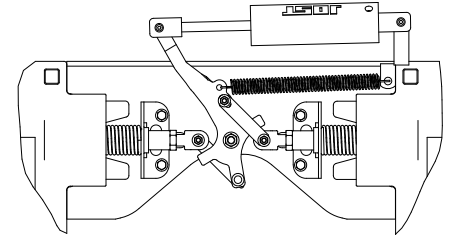


| Item | Description | Part No. | Item | Description | Part No. |
|------|------------------|-------------|------|-------------|----------|
| 1 | Slider weldment* | SK 77037-xx | 2 | Rear Stop | SK 77041 |

*Item #1 available in travel lengths:
8", 12", 16", 24", 36" & 48". Replace XX in part number with
appropriate length (e.g. SK 77037-12).



Slide mechanism locked



Slide mechanism unlocked

CAPACITY:

50,000 maximum vertical load.
150,000 maximum drawbar pull.

FEATURES:

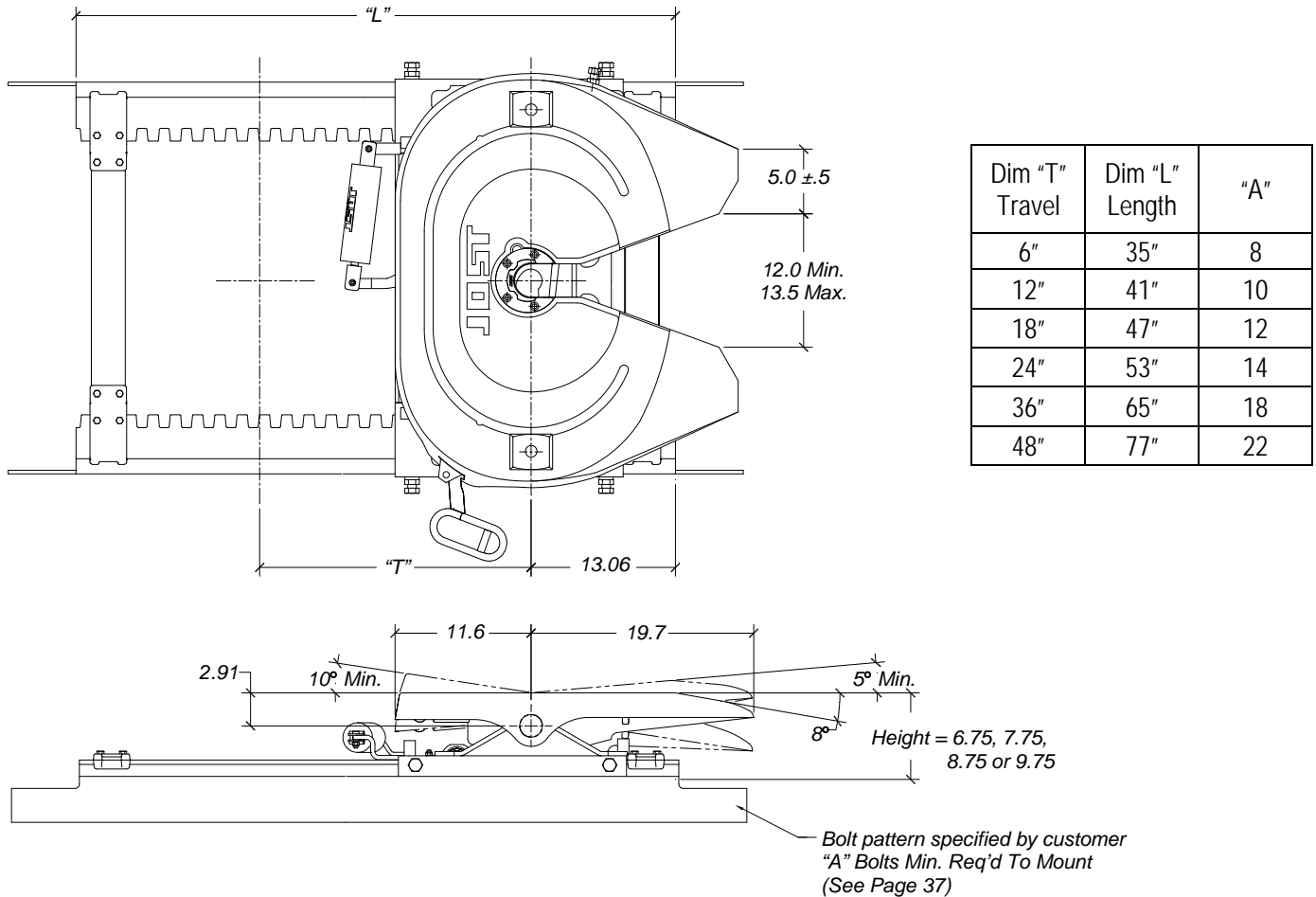
- **MADE IN U.S.A. – BY **JOST****
- *Allows adjustment for vehicle combination lengths and tractor axle load distribution.*
- *Patented integral mounting angle design eliminates additional mounting angle weight.*
- *Lightweight high strength low alloy construction (up to 120 lbs. lighter than competitive models) that allows you to maximize payloads.*
- *Maintenance free construction allows for maximum equipment utilization.*
- *Slide travel is adjustable in 2" increments for precise positioning of fifth wheel.*
- *Fully adjustable for all frame widths.*
- *Release mechanism features an in-line secondary lock, assures positive, safe locking.*
- *Available in popular heights and slide travels.*
- *Automatic spring-loaded adjustment of locking plungers.*
- *Composite cylinder and rod for long trouble free life.*
- *Maintenance-free pivot eliminates routine lubrication requirements.*
- *Upshock cushion reduces impact and provides torsional relief between tractor and trailer.*
- *Removable/Repositionable slide stops that allow for easy:*
 - *Removal of slide bracket.*
 - *Limitation of slide travel for special applications.*

| Fifth Wheel Product Line Prefix | TOPPLATE <i>(See Page 1)</i> | | | Articulation | SLIDE BRACKET <i>(See Page 22)</i> | | | SLIDE RAIL <i>(See Page 23)</i> | |
|------------------------------------|--|-----------------------|--|---|---------------------------------------|---|------------------|--|---|
| | Topplate Style | Topplate Lube Type | Topplate Release Type | | Slider Style | Height | Slide Release | Travel Options* | Slide Travel |
| JSK | 37U | — | — | — | B | — | P | — | — |
| | Standard Lube Surface – S With Low Lube Plates – W Auto Lube (4 holes) – A | | Left Hand Release – L **Air Release – A **Left Hand Retractable Handle – B | Standard – Leave Blank **No-Tilt Convertible – N | | **6.75" – 7 **7.75" – 8 8.75" – 9 **9.75" – 10 | Pneumatic – P | C – 33 1/2" E – 33 3/4" F – 33 7/8" G – 34" H – 34 1/8" J – 34 1/4" | 06 – 6" 12 – 12" 18 – 18" 24 – 24" 36 – 36" 48 – 48" |

** No-Tilt Convertible option is only available with 9" height Slide Bracket and with the Left Hand Release. See page 33 for details.

Example: JSK 37USL-B7PG24

DIMENSIONAL INFORMATION

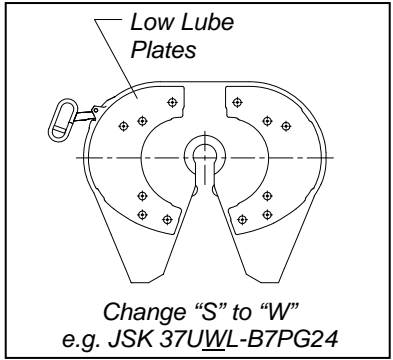


"T" = Slide Travel

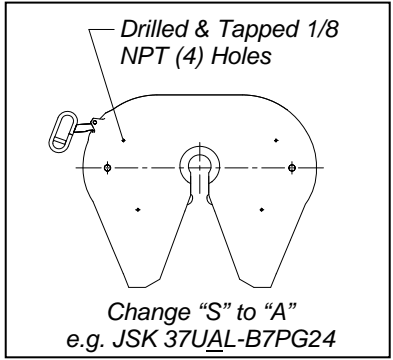
"L" = Overall Length

| Travel | Height | Weight † | JOIST Model Number ‡ |
|--------|--------|----------|--------------------------------|
| 6" | 6.75 | 473 lbs. | JSK 37USL-B7PG06 |
| | 7.75 | 478 lbs. | JSK 37USL-B8PG06 |
| | 8.75 | 483 lbs. | JSK 37USL-B9PG06 |
| | 9.75 | 488 lbs. | JSK 37USL-B10PG06 |
| 12" | 6.75 | 486 lbs. | JSK 37USL-B7PG12 |
| | 7.75 | 491 lbs. | JSK 37USL-B8PG12 |
| | 8.75 | 496 lbs. | JSK 37USL-B9PG12 |
| | 9.75 | 501 lbs. | JSK 37USL-B10PG12 |
| 18" | 6.75 | 498 lbs. | JSK 37USL-B7PG18 |
| | 7.75 | 503 lbs. | JSK 37USL-B8PG18 |
| | 8.75 | 508 lbs. | JSK 37USL-B9PG18 |
| | 9.75 | 513 lbs. | JSK 37USL-B10PG18 |
| 24" | 6.75 | 512 lbs. | JSK 37USL-B7PG24 |
| | 7.75 | 517 lbs. | JSK 37USL-B8PG24 |
| | 8.75 | 522 lbs. | JSK 37USL-B9PG24 |
| | 9.75 | 527 lbs. | JSK 37USL-B10PG24 |
| 36" | 6.75 | 538 lbs. | JSK 37USL-B7PG36 |
| | 7.75 | 543 lbs. | JSK 37USL-B8PG36 |
| | 8.75 | 548 lbs. | JSK 37USL-B9PG36 |
| | 9.75 | 553 lbs. | JSK 37USL-B10PG36 |
| 48" | 6.75 | 564 lbs. | JSK 37USL-B7PG48 |
| | 7.75 | 569 lbs. | JSK 37USL-B8PG48 |
| | 8.75 | 574 lbs. | JSK 37USL-B9PG48 |
| | 9.75 | 579 lbs. | JSK 37USL-B10PG48 |

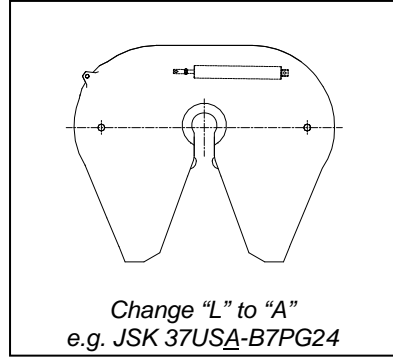
Low Lube Plates



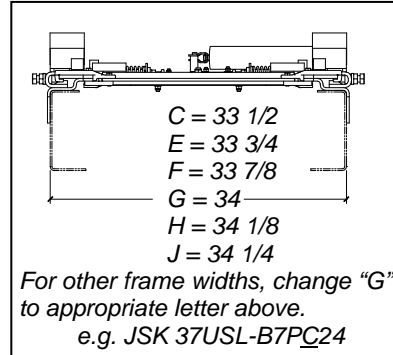
Auto Lube



Air Release



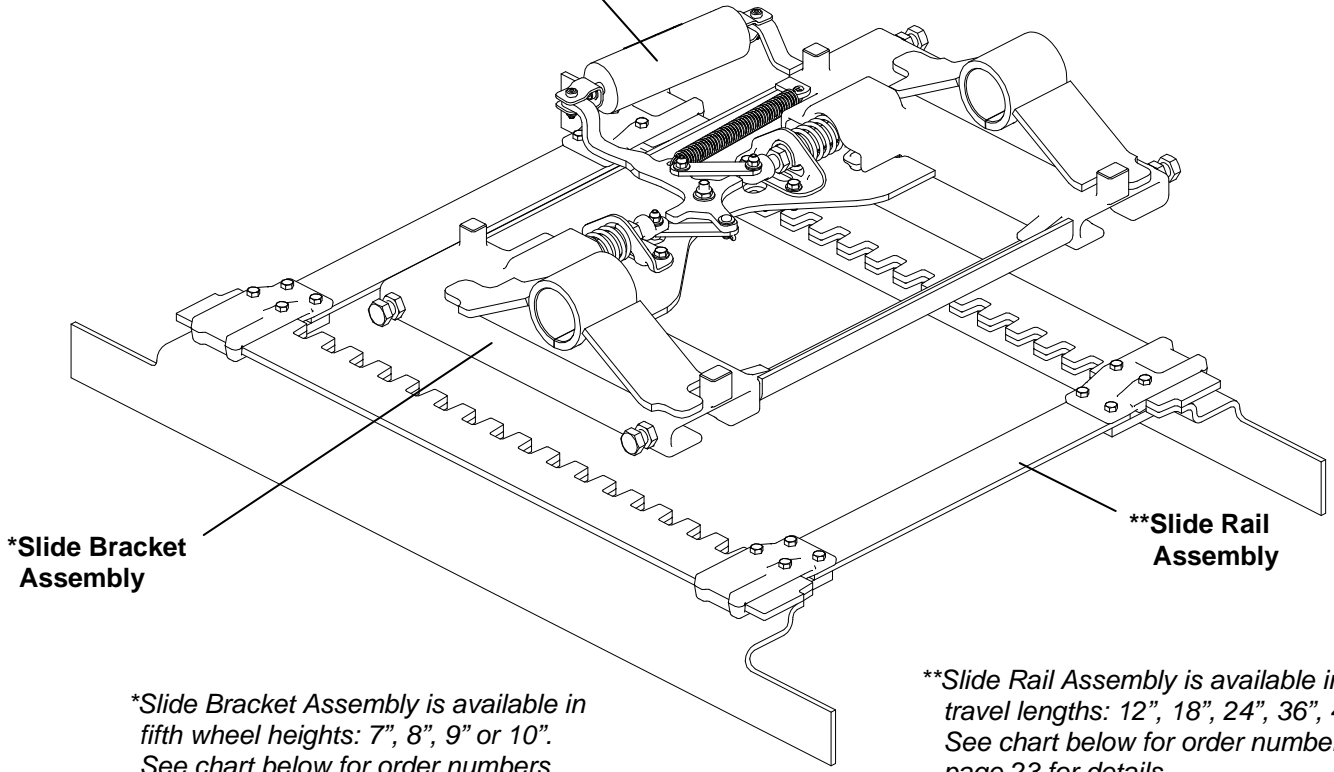
Frame Width



† Weight includes mounting angles.

‡ Model numbers shown have standard topplate, left hand release, air slide and 34" frame width.

Air cylinder not included, order
SK 75015-03 (see pg. 36)



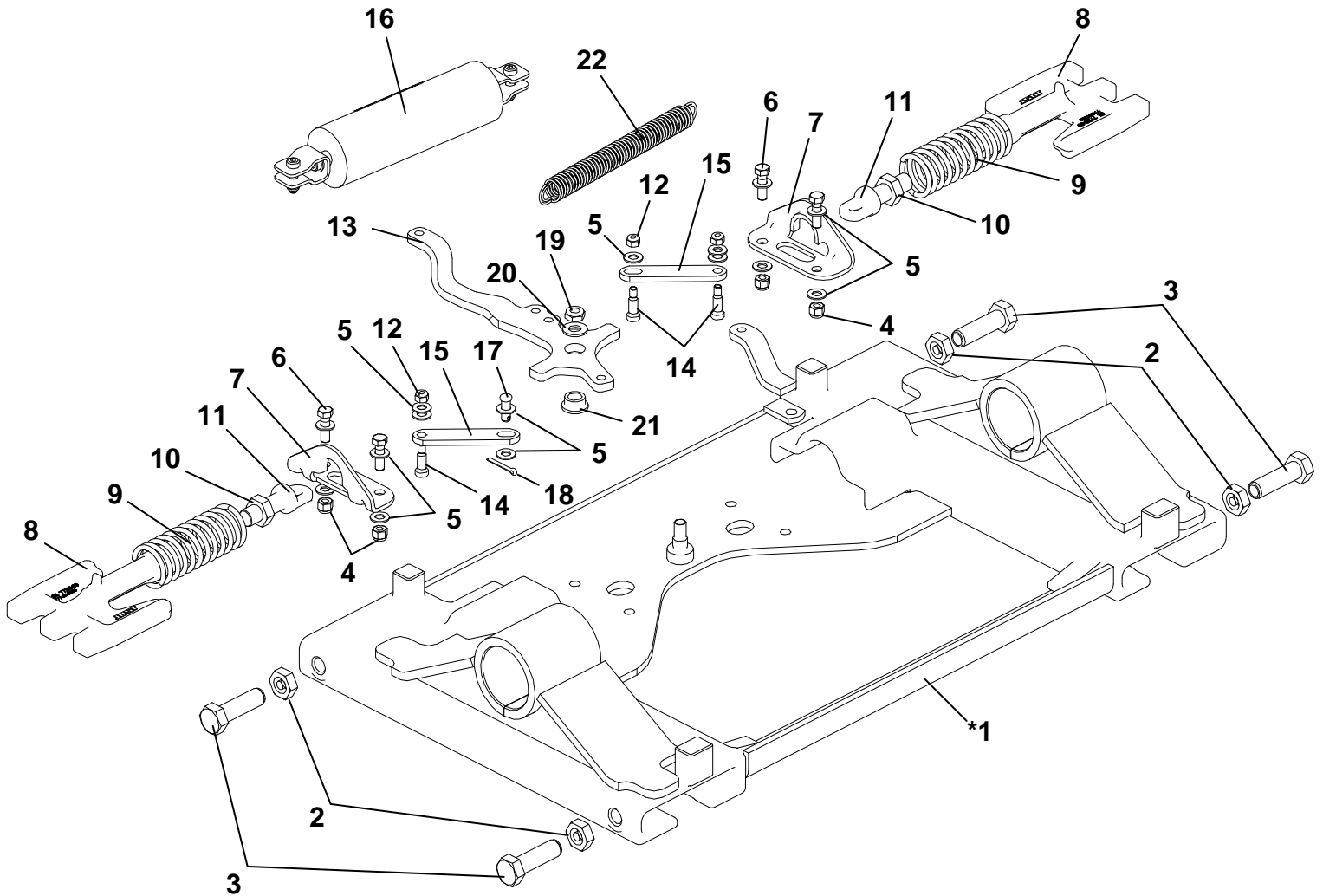
**Slide Bracket Assembly is available in fifth wheel heights: 7", 8", 9" or 10". See chart below for order numbers and see page 22 for details.*

***Slide Rail Assembly is available in standard travel lengths: 12", 18", 24", 36", 48". See chart below for order numbers and see page 23 for details.*

| To Order Slide Bracket Assembly Only | | |
|---|-----------------|----------|
| JO ST Order Number | Height | Weight |
| B7P | 7" F.W. Height | 119 lbs. |
| B8P | 8" F.W. Height | 122 lbs. |
| B9P | 9" F.W. Height | 126 lbs. |
| B10P | 10" F.W. Height | 131 lbs. |

| To Order Slide Rail Assembly Only | | |
|--|------------|----------|
| JO ST Order Number | Travel | Weight |
| SK 75039-06 | 6" Travel | 117 lbs. |
| SK 75039-12 | 12" Travel | 130 lbs. |
| SK 75039-18 | 18" Travel | 143 lbs. |
| SK 75039-24 | 24" Travel | 156 lbs. |
| SK 75039-36 | 36" Travel | 183 lbs. |
| SK 75039-48 | 48" Travel | 209 lbs. |

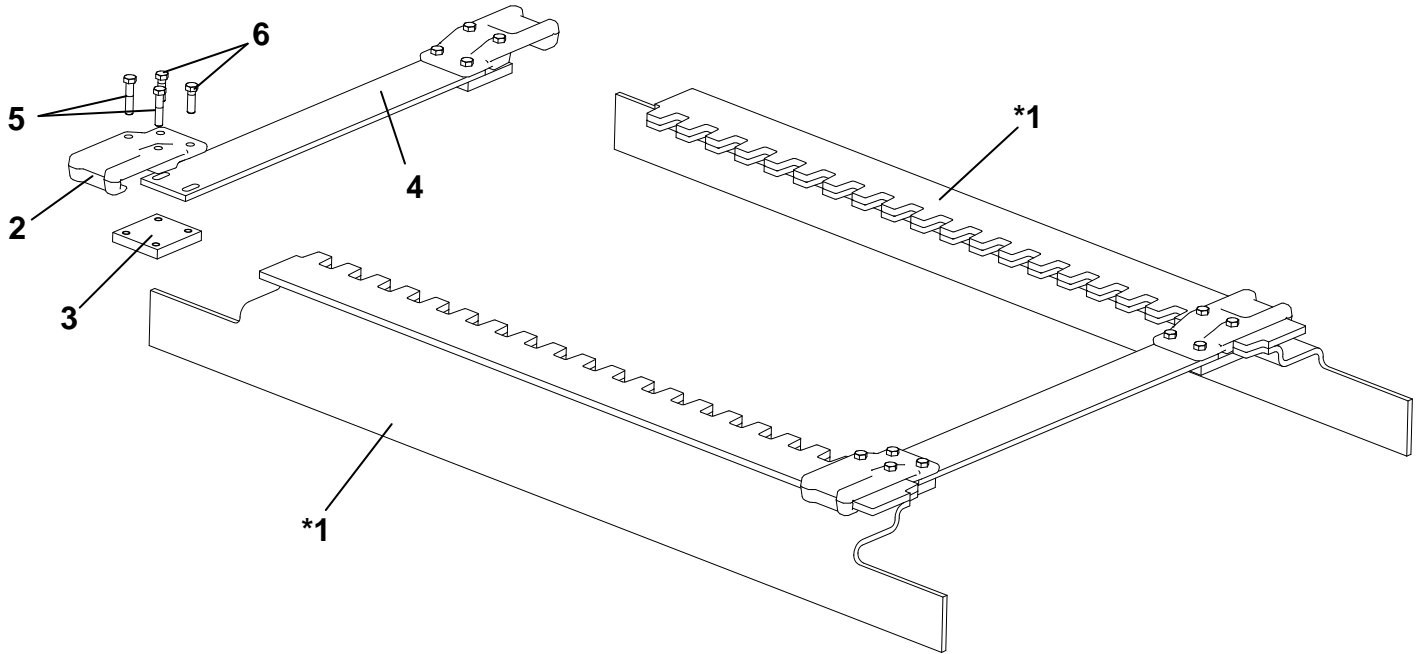
Slide Bracket Assembly



| Item | Description | Part No. | Item | Description | Part No. |
|------|------------------------------------|-------------|------|--------------------------------|-------------|
| 1 | Slide bracket* | SK 77240-xx | 12 | 5/16-18 Lock nut | SK 70402-01 |
| 2 | 3/4-10 Jam nut | SK 70403-05 | 13 | Pivot Arm | SK 77289-00 |
| 3 | 3/4-10 Hex head bolt (full thread) | SK 70207-01 | 14 | 3/8 Dia. x 3/4 shoulder screw | SK 70201-09 |
| 4 | 3/8-16 Lock nut | SK 70402-00 | 15 | Pivot linkage | SK 77290-00 |
| 5 | Flat washer | SK 70302-05 | 16 | Cylinder Assembly (see pg. 36) | SK 75015-03 |
| 6 | 3/8-16 Hex head bolt | SK 70202-05 | 17 | 3/8 Dia. clevis pin | SK 70102-00 |
| 7 | Spring bracket | SK 77238-00 | 18 | Cotter pin | SK 70101-01 |
| 8 | Plunger | SK 77233-01 | 19 | 1/2-13 Lock nut | SK 70402-04 |
| 9 | Spring | SK 77293-00 | 20 | Flat washer | SK 70302-02 |
| 10 | 3/4-16 Jam nut | SK 70403-01 | 21 | Flanged bearing | SK 77292-00 |
| 11 | Plunger screw | SK 77234-00 | 22 | Double Coil Spring | V2026100 |

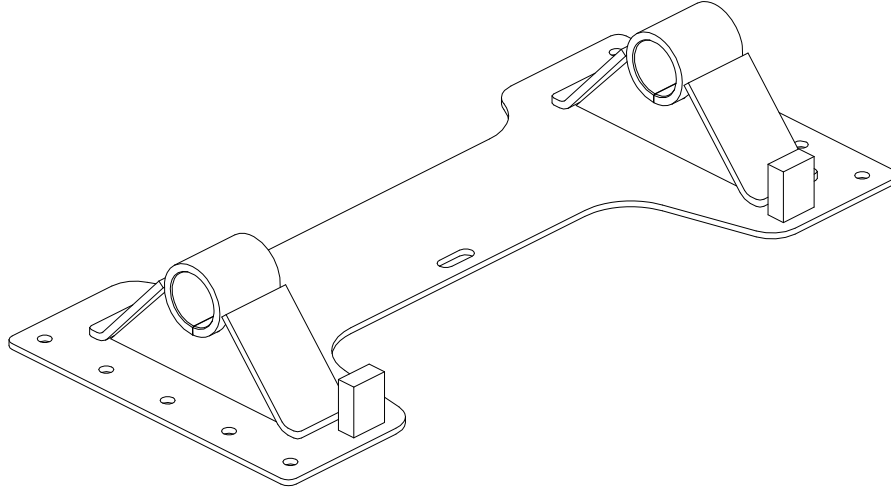
*Item #1 available in fifth wheel heights: 7", 8", 9" or 10". Replace XX in part number with appropriate height (e.g. SK 77240-08).

Slide Rail Assembly



| Item | Description | Part No. | Item | Description | Part No. |
|------|---------------------------|-------------|------|-----------------------------|-------------|
| 1 | Slide Rail* (1) side only | SK 77275-xx | 4 | Cross Brace | SK 77221-00 |
| 2 | Clamp | SK 77220-00 | 5 | 3/8-16 x 1 3/4 Lg. Hex Bolt | SK 70202-06 |
| 3 | Clamp Plate | SK 77222-00 | 6 | 3/8-16 x 1 1/4 Lg. Hex Bolt | SK 70202-05 |

*Item #1 available in travel lengths:
12", 18", 24", 36" & 48". Replace XX in part number with
appropriate length (e.g. SK 77275-12).



CAPACITY:

50,000 maximum vertical load.
150,000 maximum drawbar pull.

FEATURES:

- **MADE IN U.S.A. – BY**
- *Heavy-duty brackets constructed of high strength low alloy material combine durability with lightweight.*
- *Maintenance-free pivot eliminates routine lubrication requirements.*
- *Upshock cushion reduces impact and provides torsional relief between tractor and trailer.*

PART NUMBER

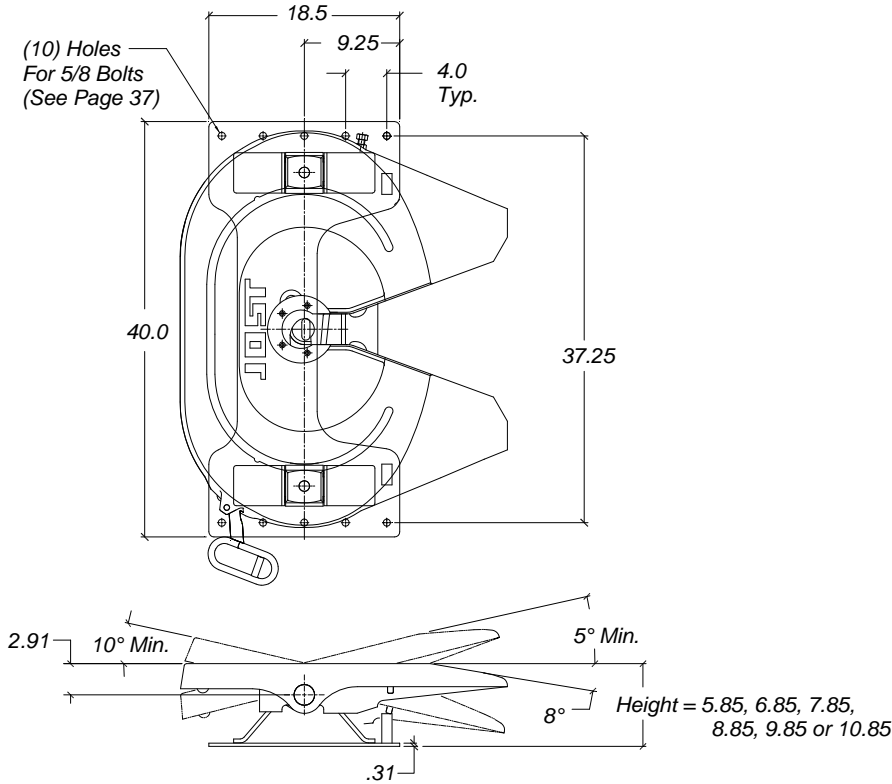
| TOPPLATE <i>(See Page 1)</i> | | | | BRACKET <i>(See Page 32)</i> | | | |
|--|----------------|--|--|--|---|--------|-------------|
| Fifth Wheel Product Line Prefix | Topplate Style | Topplate Lube Type | Topplate Release Type | Articulation | Bracket Style | Height | Frame Width |
| JSK | — | — | — | — | DB | — | X |
| Fabricated Topplate – 36N Cast Topplate – 37U | | Auto Lube (4 holes) – A Standard Lube Surface – S With Low Lube Plates – W | † Air Release – A † Left Hand Retractable Handle – B Left Hand Release – L | Leave Blank – Standard N – No-Tilt Convertible* † | 6 – 5.85" * 7 – 6.85" * 8 – 7.85" 9 – 8.85" 10 – 9.85" * 11 – 10.85" * | | |

† No-Tilt Convertible option is not available with the Retractable Handle Release or Air Release. See page 33 for details.

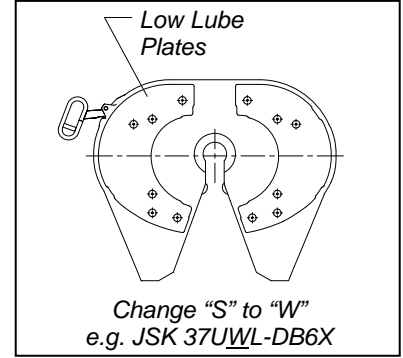
* No-Tilt Convertible option is available with 8" or 9" height Brackets only.

Example: JSK 37USL-DB6X

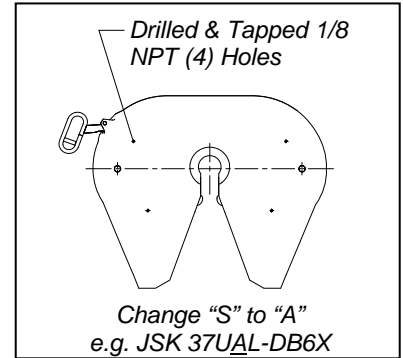
DIMENSIONAL INFORMATION



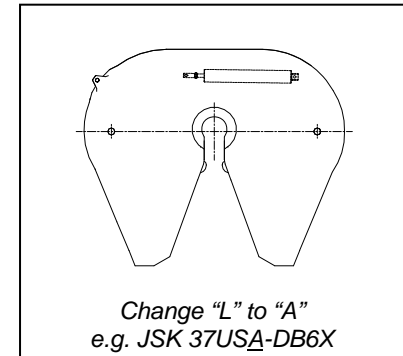
Low Lube Plates



Auto Lube



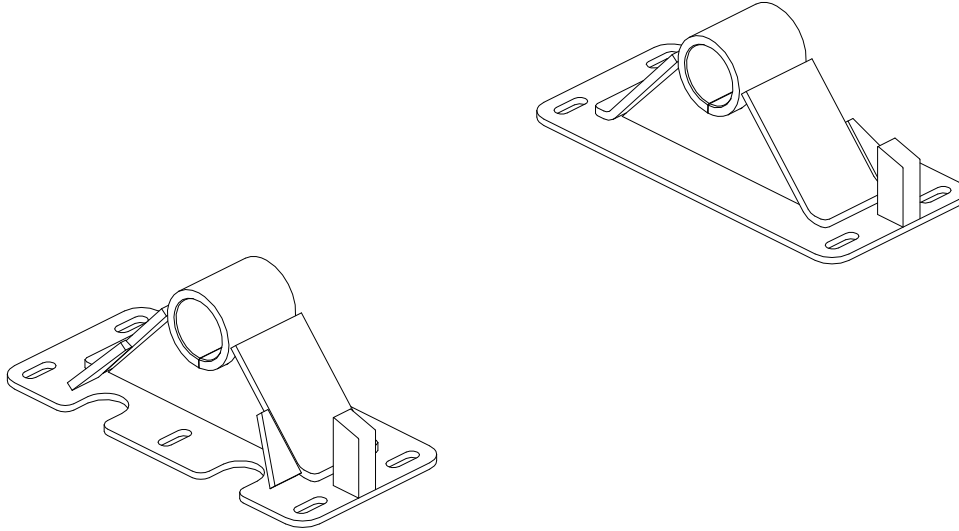
Air Release



| Height * | Weight | JOST Model Number † |
|----------|----------|------------------------|
| 6" | 319 lbs. | JSK 37USL-DB6X |
| 7" | 324 lbs. | JSK 37USL-DB7X |
| 8" | 329 lbs. | JSK 37USL-DB8X |
| 9" | 336 lbs. | JSK 37USL-DB9X |
| 10" | 374 lbs. | JSK 37USL-DB10X |
| 11" | 388 lbs. | JSK 37USL-DB11X |

* Nominal height shown, for actual height see line drawing above.

† Model numbers shown have standard topplate and left hand release.



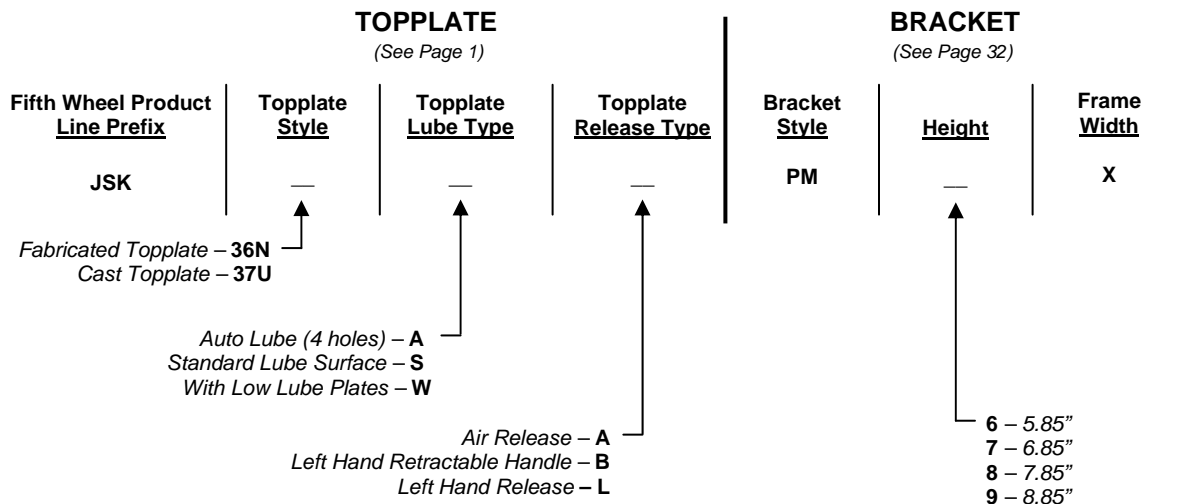
CAPACITY:

50,000 maximum vertical load.
150,000 maximum drawbar pull.

FEATURES:

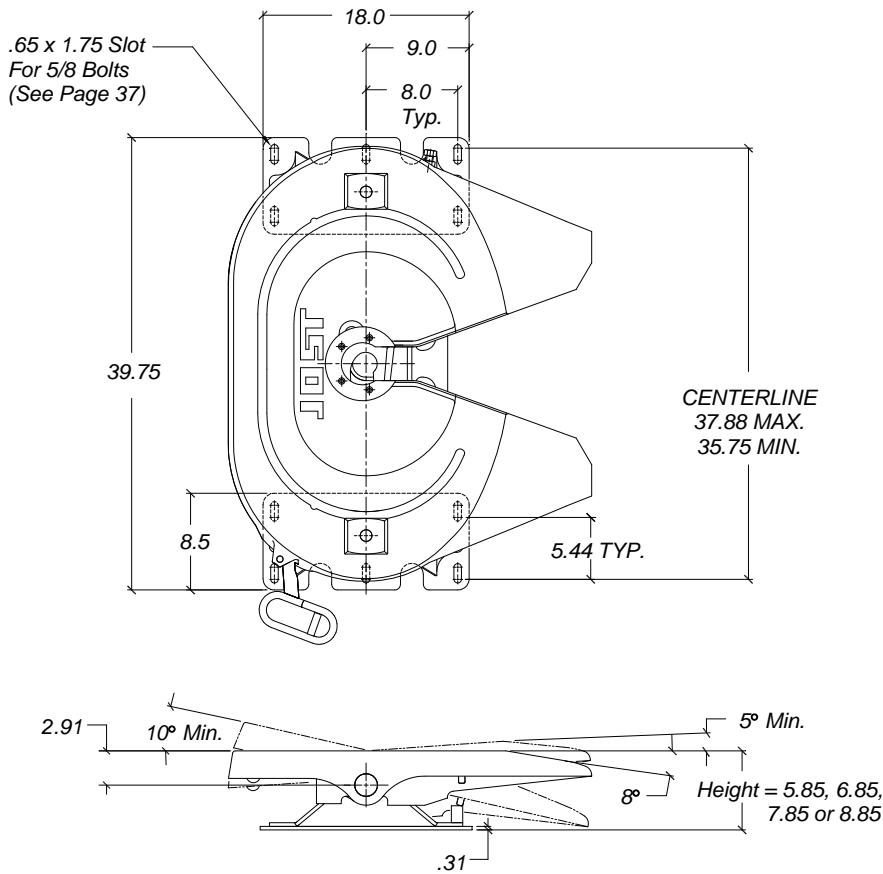
- **MADE IN U.S.A. – BY**
- *Heavy-duty brackets constructed of high strength low alloy material combine durability with lightweight.*
- *Maintenance-free pivot eliminates routine lubrication requirements.*
- *Upshock cushion reduces impact and provides torsional relief between tractor and trailer.*

PART NUMBER



Example: JSK 37USL-PM6X

DIMENSIONAL INFORMATION



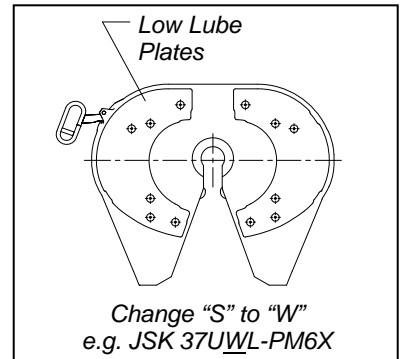
Note: For corrugated mounting plate, see page 40.

| Height * | Weight | JOST Model Number † |
|----------|----------|-------------------------------|
| 6" | 300 lbs. | JSK 37USL-PM6X |
| 7" | 304 lbs. | JSK 37USL-PM7X |
| 8" | 309 lbs. | JSK 37USL-PM8X |
| 9" | 313 lbs. | JSK 37USL-PM9X |

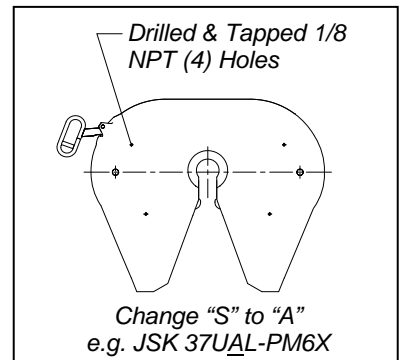
* Nominal height shown, for actual height see line drawing above.

† Model numbers shown have standard topplate and left hand release.

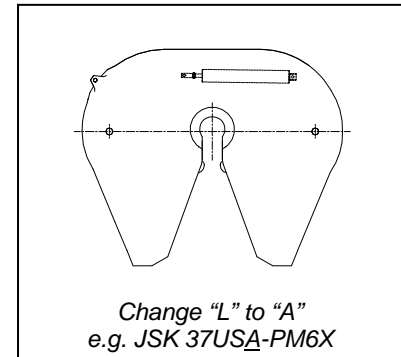
Low Lube Plates

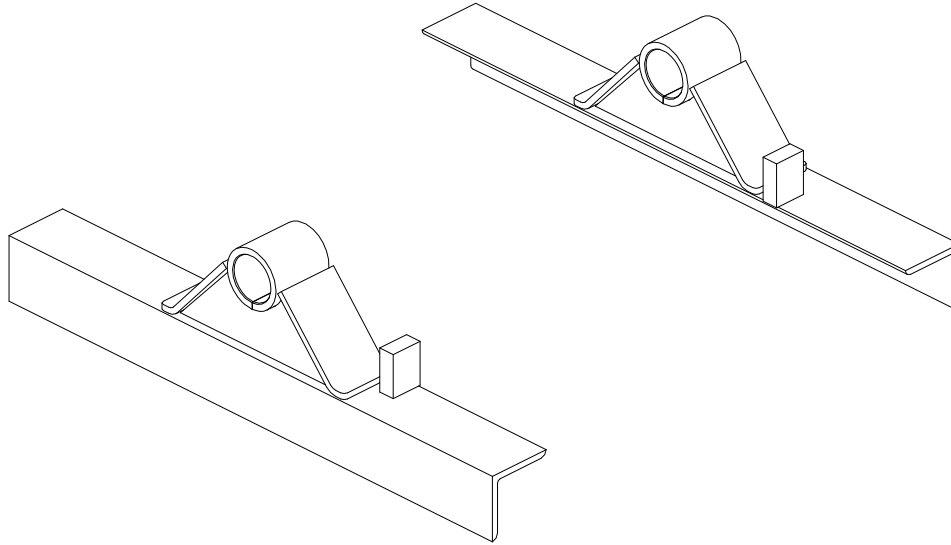


Auto Lube



Air Release





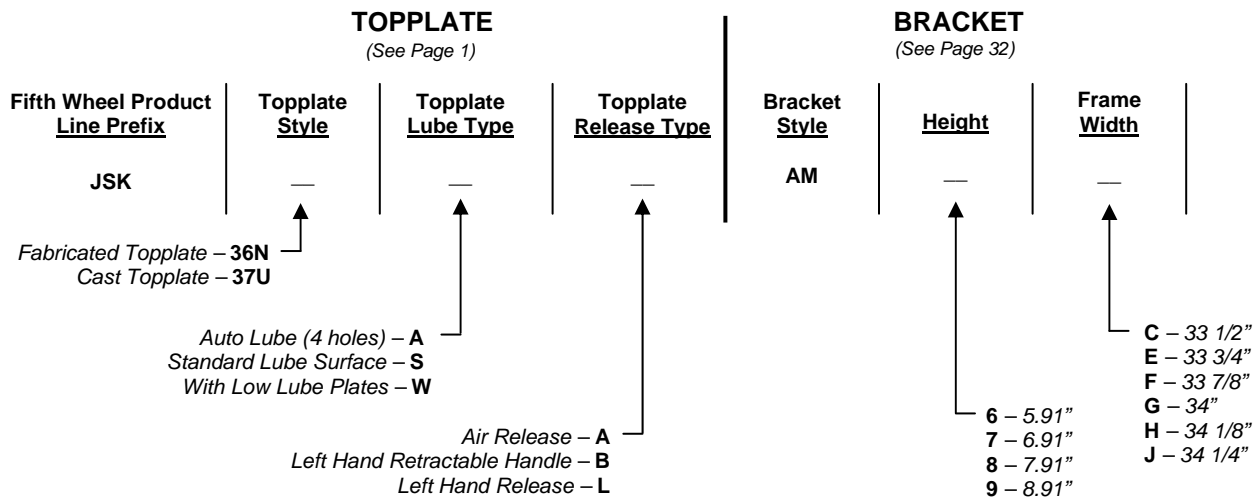
CAPACITY:

50,000 maximum vertical load.
150,000 maximum drawbar pull.

FEATURES:

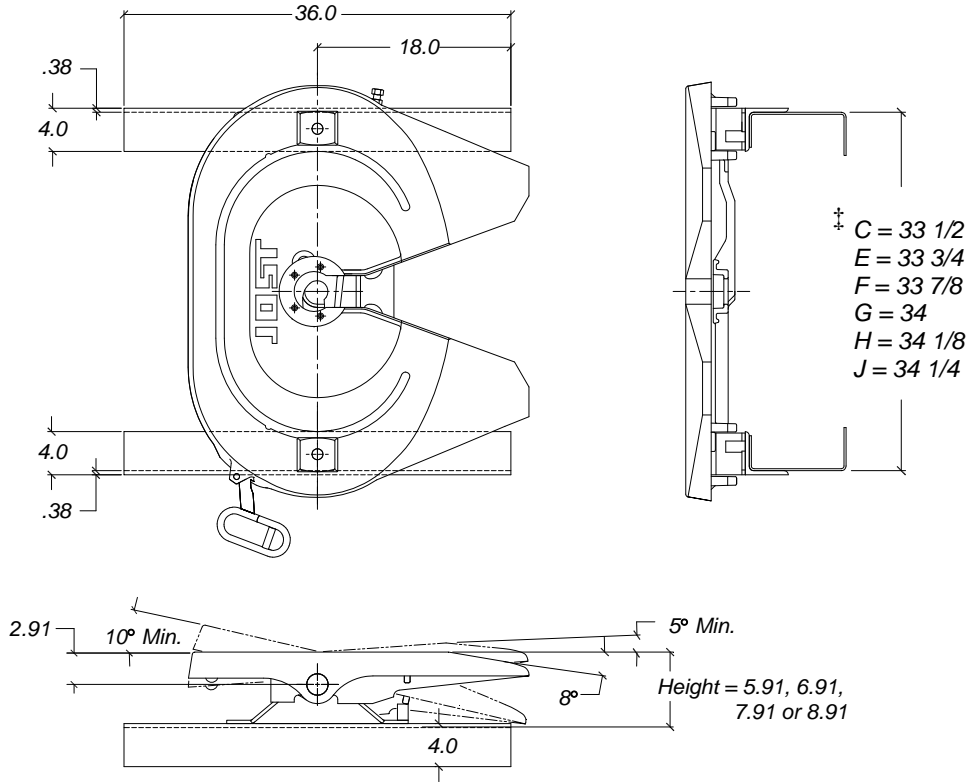
- **MADE IN U.S.A. – BY**
- *Heavy-duty brackets constructed of high strength low alloy material combine durability with lightweight.*
- *Maintenance-free pivot eliminates routine lubrication requirements.*
- *Upshock cushion reduces impact and provides torsional relief between tractor and trailer.*

PART NUMBER

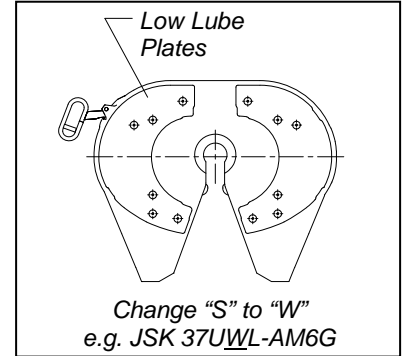


Example: JSK 37USL-AM6G

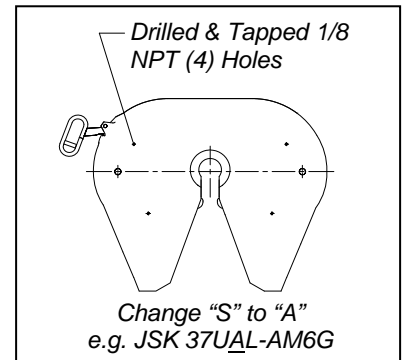
DIMENSIONAL INFORMATION



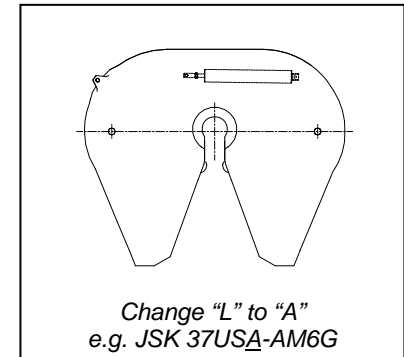
Low Lube Plates



Auto Lube



Air Release

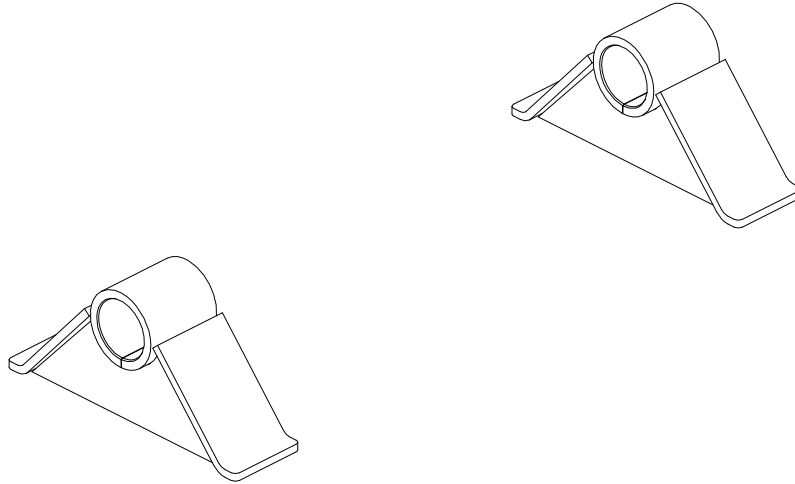


† For other frame widths change "G" to appropriate letter shown.
 e.g. JSK 37USL-AM6C

| Height * | Weight | JOIST Model Number † |
|----------|----------|--------------------------------|
| 6" | 334 lbs. | JSK 37USL-AM6G |
| 7" | 338 lbs. | JSK 37USL-AM7G |
| 8" | 343 lbs. | JSK 37USL-AM8G |
| 9" | 347 lbs. | JSK 37USL-AM9G |

* Nominal height shown, for actual height see line drawing above.

† Model numbers shown have standard toplite, left hand release and 34" frame width.



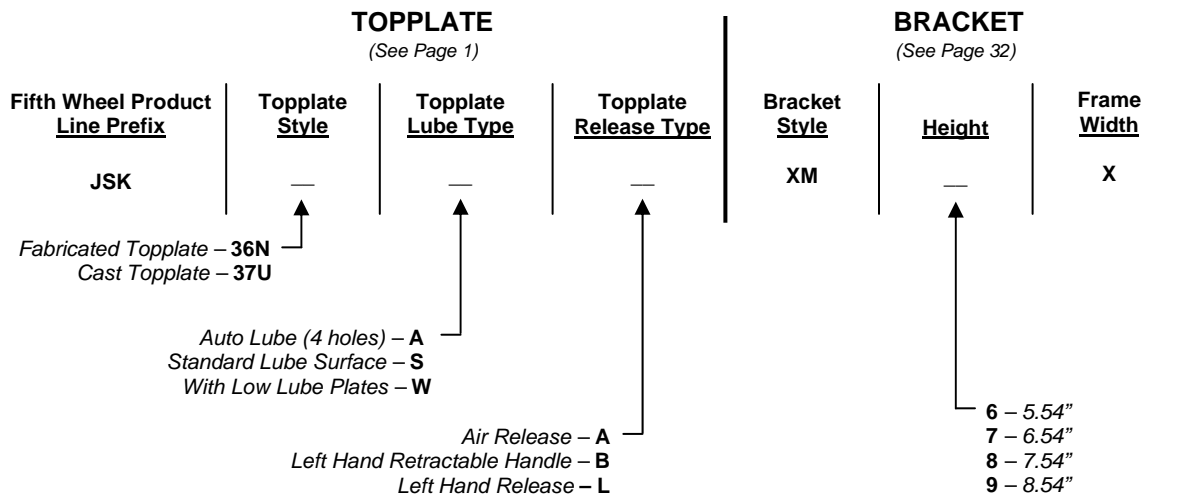
CAPACITY:

50,000 maximum vertical load.
150,000 maximum drawbar pull.

FEATURES:

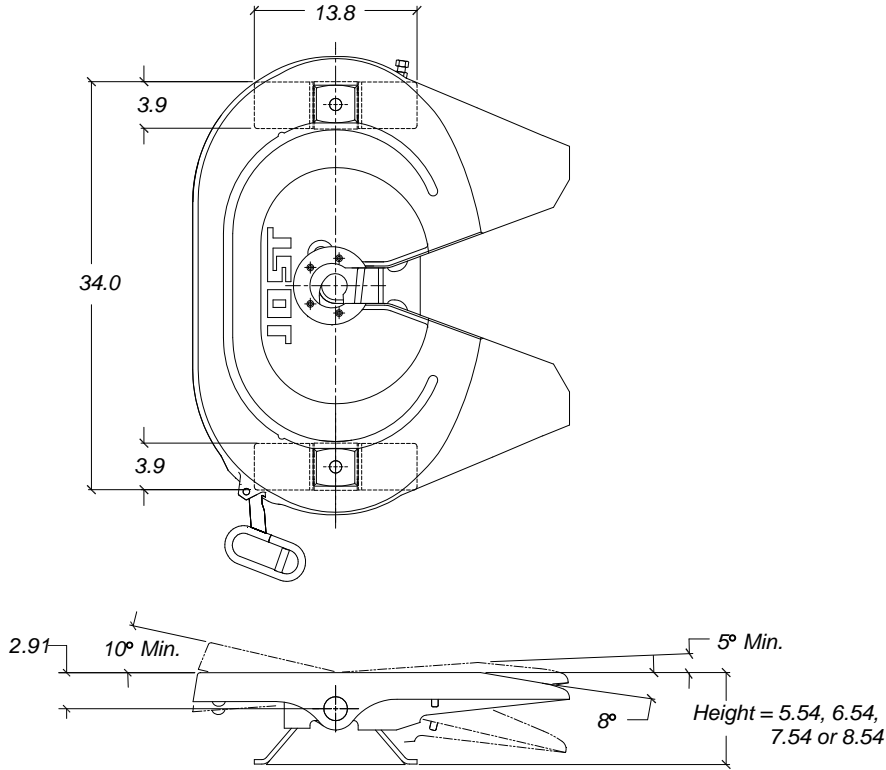
- **MADE IN U.S.A. – BY**
- *Heavy-duty brackets constructed of high strength low alloy material combine durability with lightweight.*
- *Maintenance-free pivot eliminates routine lubrication requirements.*
- *Upshock cushion reduces impact and provides torsional relief between tractor and trailer.*

PART NUMBER

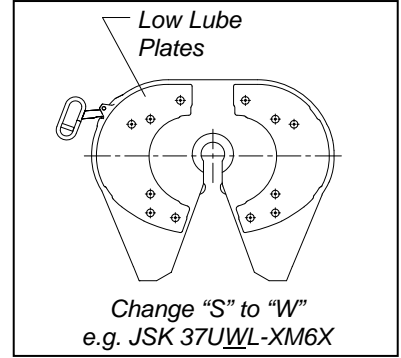


Example: JSK 37USL-XM6X

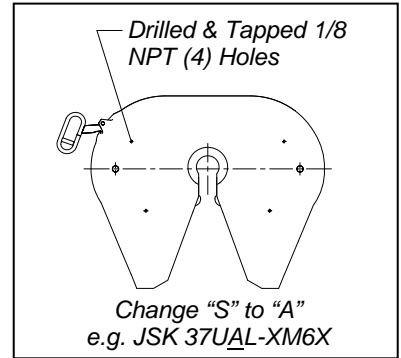
DIMENSIONAL INFORMATION



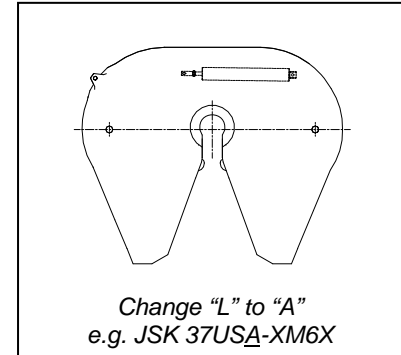
Low Lube Plates



Auto Lube



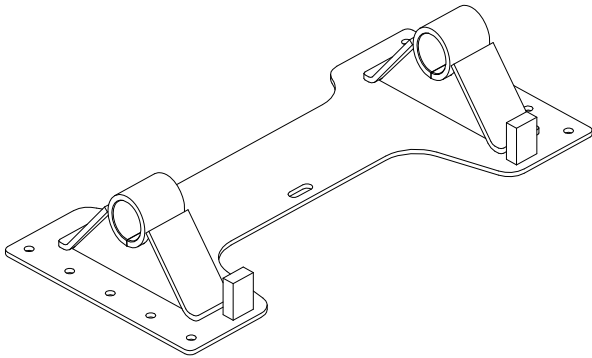
Air Release



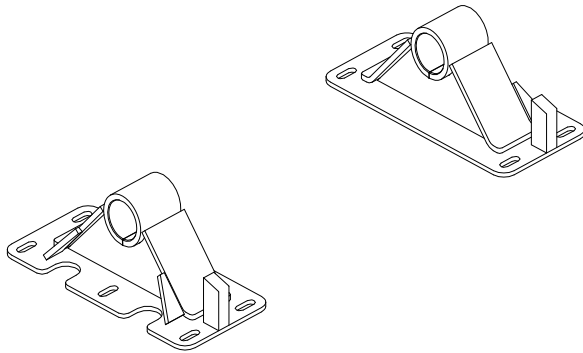
| Height * | Weight | JOIST Model Number † |
|----------|----------|--------------------------------|
| 6" | 275 lbs. | JSK 37USL-XM6X |
| 7" | 279 lbs. | JSK 37USL-XM7X |
| 8" | 284 lbs. | JSK 37USL-XM8X |
| 9" | 288 lbs. | JSK 37USL-XM9X |

* Nominal height shown, for actual height see line drawing above.

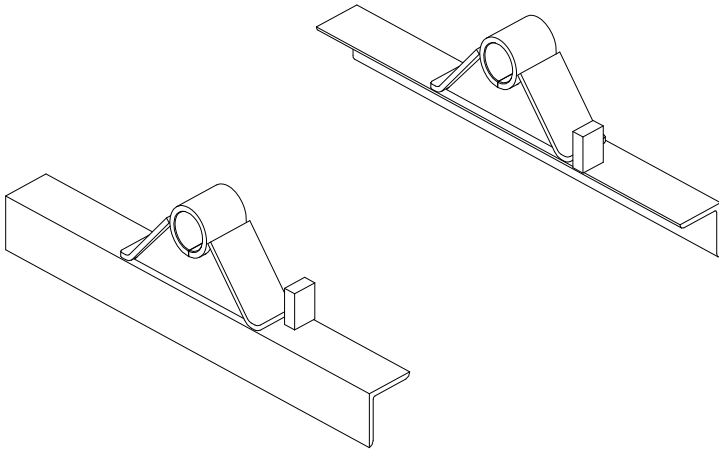
† Model numbers shown have standard topplate and left hand release.



| Outboard Flat Plate Mounting Bracket * | | |
|---|-----------------|----------|
| JOIST Order Number | Height | Weight |
| DB6X | 6" F.W. Height | 69 lbs. |
| DB7X | 7" F.W. Height | 74 lbs. |
| DB8X | 8" F.W. Height | 79 lbs. |
| DB9X | 9" F.W. Height | 85 lbs. |
| DB10X | 10" F.W. Height | 123 lbs. |
| DB11X | 11" F.W. Height | 137 lbs. |

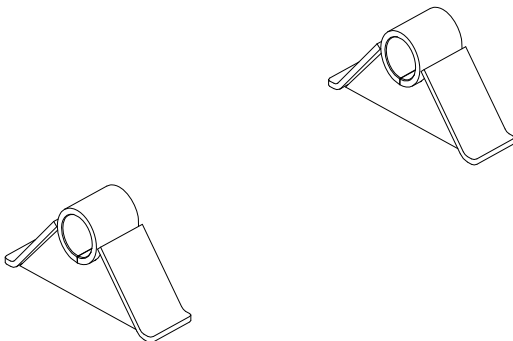


| Outboard Plate Mount Mounting Bracket * | | |
|--|----------------|---------|
| JOIST Order Number | Height | Weight |
| PM6X | 6" F.W. Height | 51 lbs. |
| PM7X | 7" F.W. Height | 55 lbs. |
| PM8X | 8" F.W. Height | 60 lbs. |
| PM9X | 9" F.W. Height | 65 lbs. |

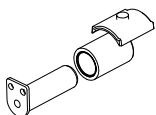


| Inboard Angle Mounting Bracket * | | |
|---|----------------|---------|
| JOIST Order Number | Height | Weight |
| AM6G** | 6" F.W. Height | 84 lbs. |
| AM7G** | 7" F.W. Height | 88 lbs. |
| AM8G** | 8" F.W. Height | 93 lbs. |
| AM9G** | 9" F.W. Height | 99 lbs. |

**For other frame widths change "G" to appropriate letter shown on page 29. (e.g. AM6C)



| Bracket * for Angle Mount | | |
|----------------------------------|----------------|---------|
| JOIST Order Number | Height | Weight |
| XM6X | 6" F.W. Height | 24 lbs. |
| XM7X | 7" F.W. Height | 28 lbs. |
| XM8X | 8" F.W. Height | 32 lbs. |
| XM9X | 9" F.W. Height | 37 lbs. |

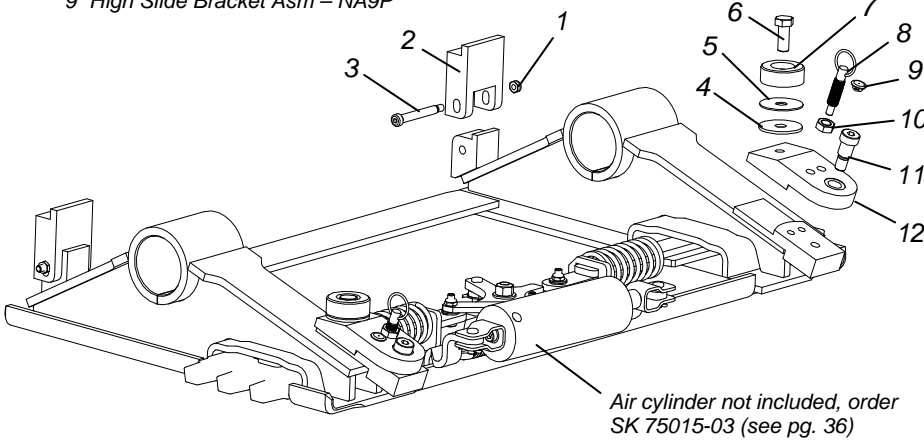


*Pins, bushings & collars not included when ordering brackets only.

Outboard Slide Bracket Assemblies
8" High Slide Bracket Asm – NA8P
9" High Slide Bracket Asm – NA9P

OUTBOARD SLIDER PARTS

(Adds 17 lbs to standard weight)

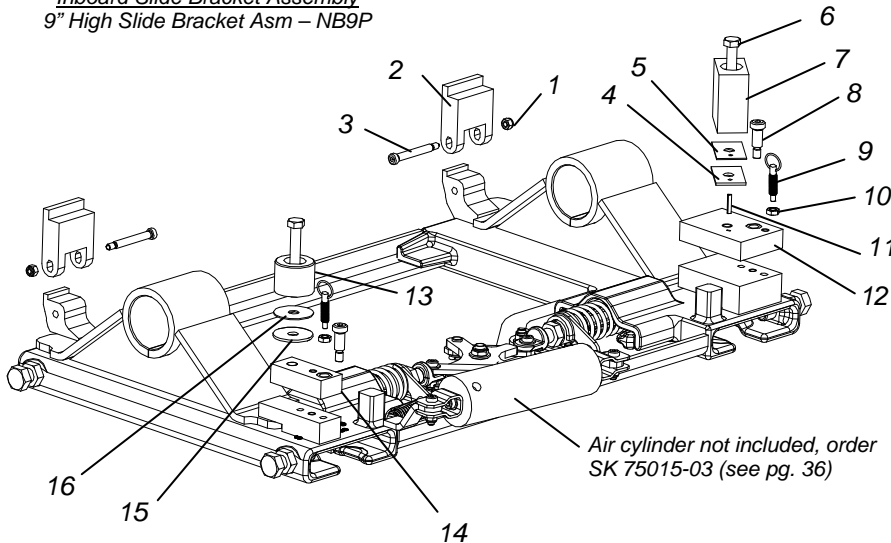


| Item | Description | Part No. |
|------|--------------------------|-------------|
| 1 | Lock Nut | SK-70402-01 |
| 2 | Rear Stop – 8" height | SK-72066-01 |
| 3 | Rear Stop – 9" height | SK-72066-02 |
| 4 | 2 1/2 lg. Shoulder Screw | SK-70201-02 |
| 5 | Thick Shim (round) | SK-72068-12 |
| 6 | Thin Shim (round) | SK-72068-06 |
| 7 | 1/2-13 Screw – 8" height | SK-70202-08 |
| 8 | 1/2-13 Screw – 9" height | SK-70202-16 |
| 9 | Front Stop – 8" height | SK-72065-08 |
| 10 | Front Stop – 9" height | SK-72065-09 |
| 11 | Spring Plunger | SK-71015-01 |
| 12 | Plug | SK-71003-01 |
| 13 | Jam Nut | SK-70403-03 |
| 14 | 3/4 lg. Shoulder Screw | SK-70201-14 |
| 15 | Front Tilt Stop Plate | SK-77084-00 |

INBOARD SLIDER PARTS

(Adds 26 lbs to standard weight)

Inboard Slide Bracket Assembly
9" High Slide Bracket Asm – NB9P

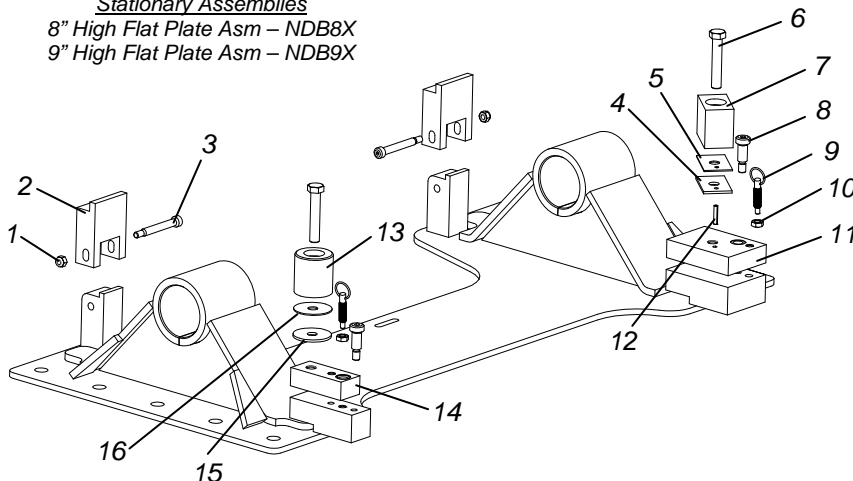


| Item | Description | Part No. |
|------|----------------------------|-------------|
| 1 | Lock Nut | SK-70402-01 |
| 2 | Rear Stop | SK-72066-01 |
| 3 | 2 1/2 lg. Shoulder Screw | SK-70201-02 |
| 4 | Thick Shim (rectangle) | SK-72069-12 |
| 5 | Thin Shim (rectangle) | SK-72069-06 |
| 6 | 1/2-13 Screw | SK-70202-26 |
| 7 | L.H. Front Stop | SK-72067-29 |
| 8 | 1 lg. Shoulder Screw | SK-70201-12 |
| 9 | Spring Plunger | SK-71015-01 |
| 10 | Jam Nut | SK-70403-03 |
| 11 | Roll Pin | SK-70104-03 |
| 12 | L.H. Front Tilt Stop Plate | SK-72064-00 |
| 13 | R.H. Front Stop | SK-72065-29 |
| 14 | R.H. Front Tilt Stop Plate | SK-72063-00 |
| 15 | Thick Shim (round) | SK-72068-12 |
| 16 | Thin Shim (round) | SK-72068-06 |

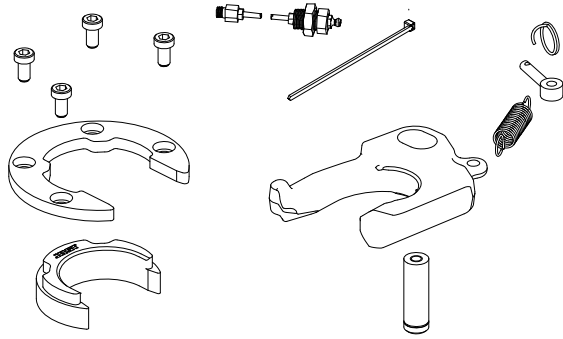
STATIONARY PARTS

(Adds 26 lbs to standard weight)

Stationary Assemblies
8" High Flat Plate Asm – NDB8X
9" High Flat Plate Asm – NDB9X

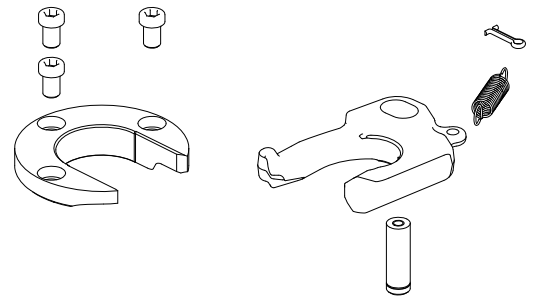


| Item | Description | Part No. |
|------|---------------------------|-------------|
| 1 | Lock Nut | SK-70402-01 |
| 2 | Rear Stop | SK-72066-01 |
| 3 | 2 1/2 lg. Shoulder Screw | SK-70201-02 |
| 4 | Thick Shim (rectangle) | SK-72069-12 |
| 5 | Thin Shim (rectangle) | SK-72069-06 |
| 6 | 1/2-13 Screw – 8" height | SK-70202-17 |
| 7 | 1/2-13 Screw – 9" height | SK-70202-18 |
| 8 | LH Front Stop – 8" height | SK-72067-08 |
| 9 | LH Front Stop – 9" height | SK-72067-09 |
| 10 | 1 lg. Shoulder Screw | SK-70201-12 |
| 11 | Plunger Spring | SK-71015-01 |
| 12 | Jam Nut | SK-70403-03 |
| 13 | LH Front Tilt Stop Plate | SK-72064-00 |
| 14 | Roll Pin | SK-70104-03 |
| 15 | RH Front Stop – 8" height | SK-72065-18 |
| 16 | RH Front Stop – 9" height | SK-72065-19 |
| 17 | RH Front Tilt Stop Plate | SK-72063-00 |
| 18 | Thick Shim (round) | SK-72068-12 |
| 19 | Thin Shim (round) | SK-72068-06 |



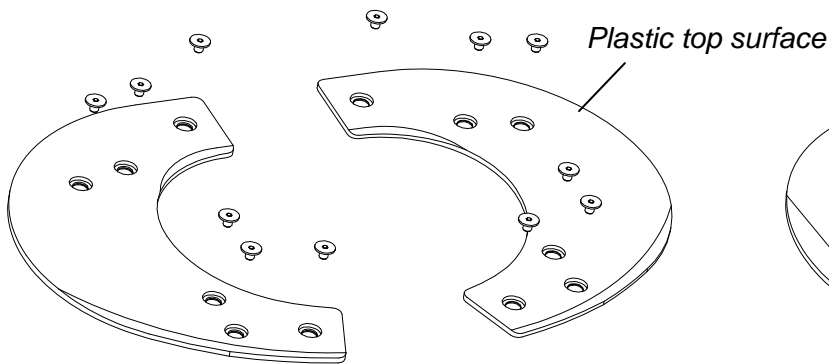
| JSK37 Series Cushion and Lock Jaw Rebuild Kit–L.H. only | |
|--|--------|
| JOST Order Number | Weight |
| SK 73221-50Z | 6 lbs. |

Includes: Ring, Eye bolt, Lock jaw spring, Lock jaw, Lock jaw pivot pin, Cushion ring insert, Cushion ring fixture, Lubrication kit, (4) Socket head cap screws



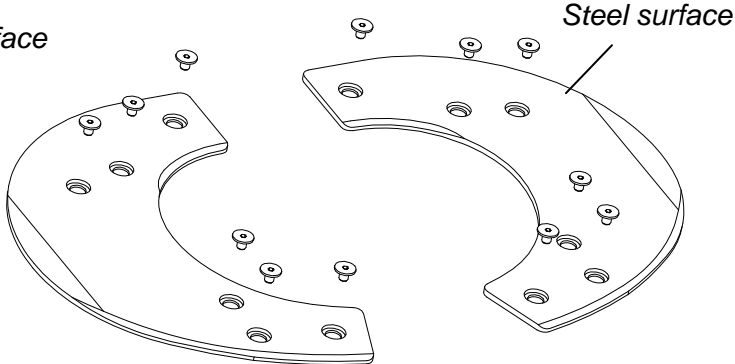
| JSK36 Series Wear Ring and Lock Jaw Rebuild Kit–L.H. only | |
|--|--------|
| JOST Order Number | Weight |
| SK 75013-05 | 7 lbs. |

Includes: Cotter pin, Lock jaw spring, Lock jaw, Lock jaw pivot pin, Wear ring, (3) Socket head cap screws



| Composite Low Lube Plate Replacement Kit | |
|---|---------|
| JOST Order Number | Weight |
| SK 3106-003 | 10 lbs. |

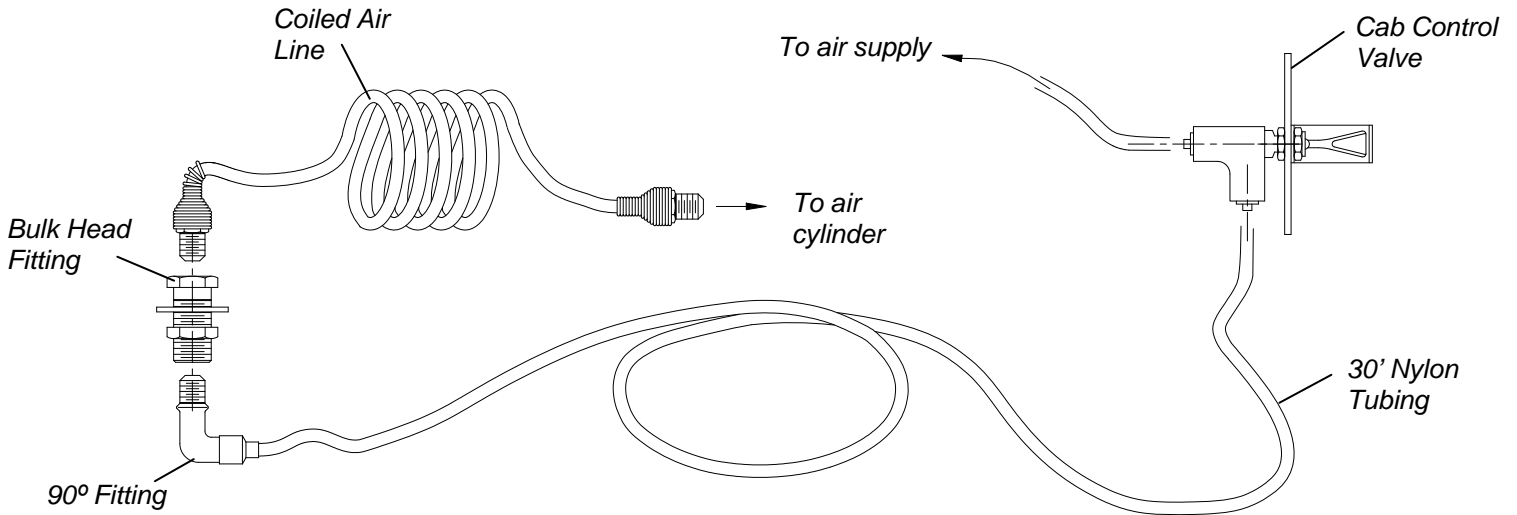
Includes: (2) Composite Plates, (12) Bolts



| Steel Liner Plate Replacement Kit | |
|--|---------|
| JOST Order Number | Weight |
| SK 79004-01 | 35 lbs. |

Includes: (2) Steel Plates, (12) Bolts

Above kits fit Jost standard topplates: JSK37UWA, JSK37UWB, JSK37UWL & JSK37UWR



| Complete Air Slide Control and Air Line Kit | | |
|---|--------------|--------|
| JOST Order Number | Slide Travel | Weight |
| SK 75002-01 | 36" or less | 2 lbs. |
| SK 75002-04 | 48" or more | 2 lbs. |

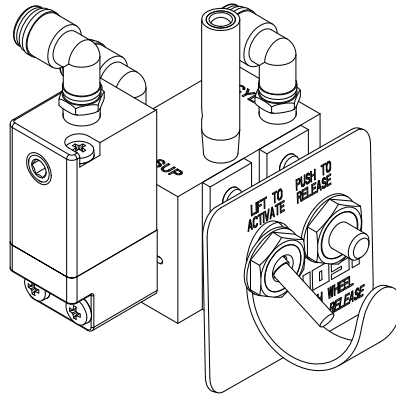
Includes: Cab Control Valve, 30' SAE JS44 type A Nylon Tubing, 90° Fitting, Bulk Head Fitting, Coiled Air Line, and Wire Ties

| Air Slide and Air Line Kit | | |
|-----------------------------|--------------|--------|
| JOST Order Number | Slide Travel | Weight |
| SK 75002-02 | 36" or less | 2 lbs. |
| SK 75002-16 | 48" or more | 2 lbs. |

Includes: Bulk Head Fitting, Coiled Air Line, Wire Ties

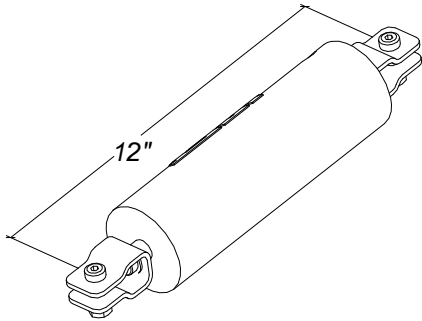
| Topplate Air Release Air Line Kit | | |
|-----------------------------------|--------------------|--------|
| JOST Order Number | Fifth Wheel type | Weight |
| SK 75002-12 | 36" travel or less | 1 lb. |
| | Stationary | |
| SK 75002-15 | 48" travel or more | 1 lb. |

Includes: 30' SAE JS44 type A Nylon Tubing, 90° Fitting, Bulk Head Fitting, Coiled Air Line



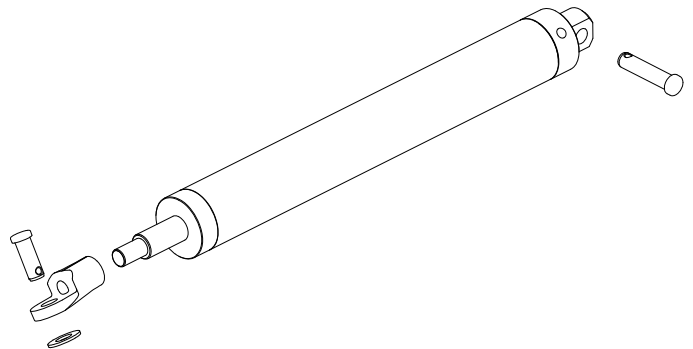
| Air Release Topplate Manifold Assembly Kit | |
|---|--------|
| JOIST Order Number | Weight |
| SK 75002-05 | 2 lbs. |

*Includes: Air Release Manifold Valve
Air Release Inversion Valve
Cab Control Plate
Finger Guard*



| Sliding Fifth Wheel Air Cylinder | |
|---|--------|
| JOIST Order Number | Weight |
| SK 75015-03 | 4 lbs. |

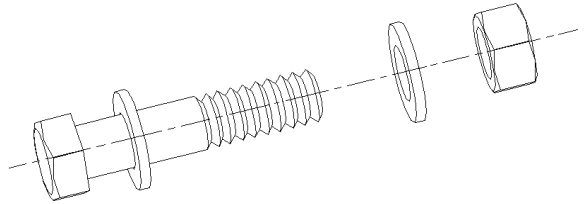
*Includes: Composite cylinder & rod,
(2) Mounting Screws, (2) Lock Nuts*



| Air Release Topplate Standard Air Cylinder | |
|---|--------|
| JOIST Order Number | Weight |
| SK 75015-05 | 5 lbs. |

*Includes: Stainless Steel Air Cylinder,
Clevis, Long Clevis Pin,
Short Clevis Pin, Washer*

Includes: 5/8" grade 8 fasteners
 Hardened steel SAE washers
 Grade C lock nuts

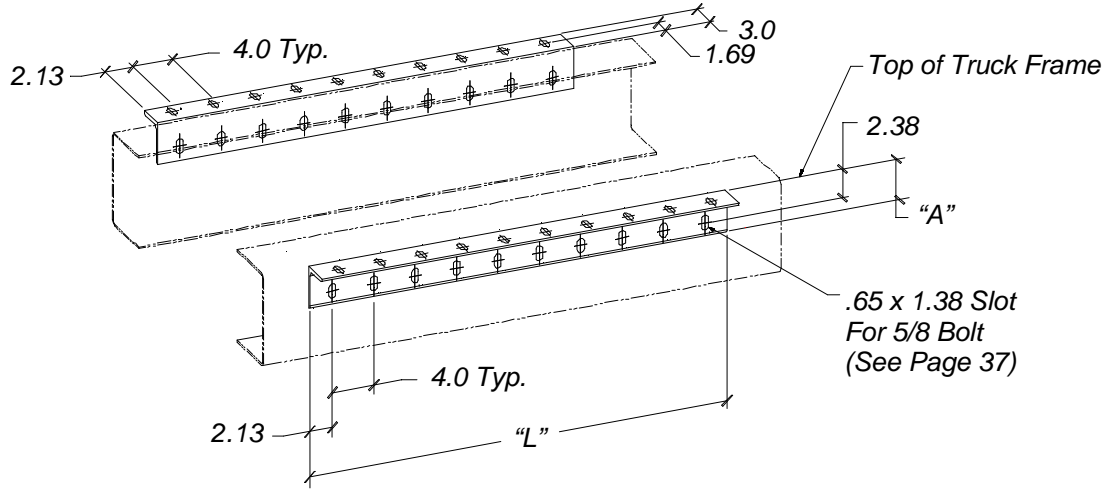


Note: Outboard sliding fifth wheel to mounting angle kits attach fifth wheel to mounting angles.
 To attach mounting angle to tractor frame order a mounting angle to tractor frame hardware kit.

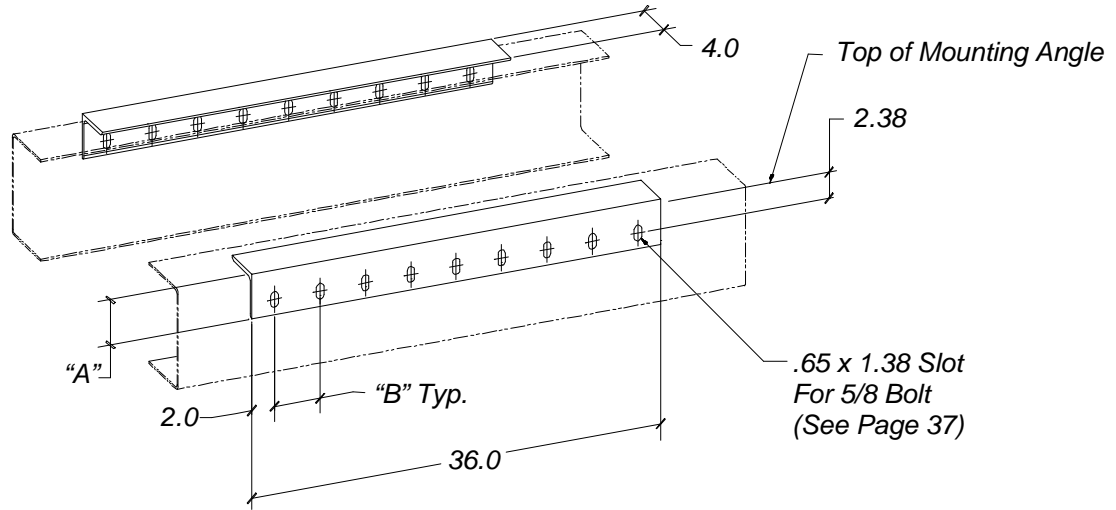
| Outboard Sliding Fifth Wheel To Mounting Angle Kits | | | |
|--|----------------------|---------------|-------------------------------------|
| <i>Slide Travel</i> | <i>Fastener Qty.</i> | <i>Weight</i> | JOIST <i>Order Number</i> |
| 8" | 18 | 7 lbs. | SK 75000-18 |
| 12" | 20 | 8 lbs. | SK 75000-20 |
| 16" | 22 | 9 lbs. | SK 75000-22 |
| 24" | 26 | 11 lbs. | SK 75000-26 |
| 36" | 32 | 14 lbs. | SK 75000-32 |
| 48" | 38 | 16 lbs. | SK 75000-38 |

| Stationary Fifth Wheel To Mounting Angle Kit | | | |
|---|----------------------|---------------|-------------------------------------|
| <i>Mounting Style</i> | <i>Fastener Qty.</i> | <i>Weight</i> | JOIST <i>Order Number</i> |
| <i>Flat Plate Mount</i> | 10 | 5 lbs. | SK 75001-10 |
| <i>Corrugated Mounting Plate</i> | 18 | 8 lbs. | SK 75017-18 |

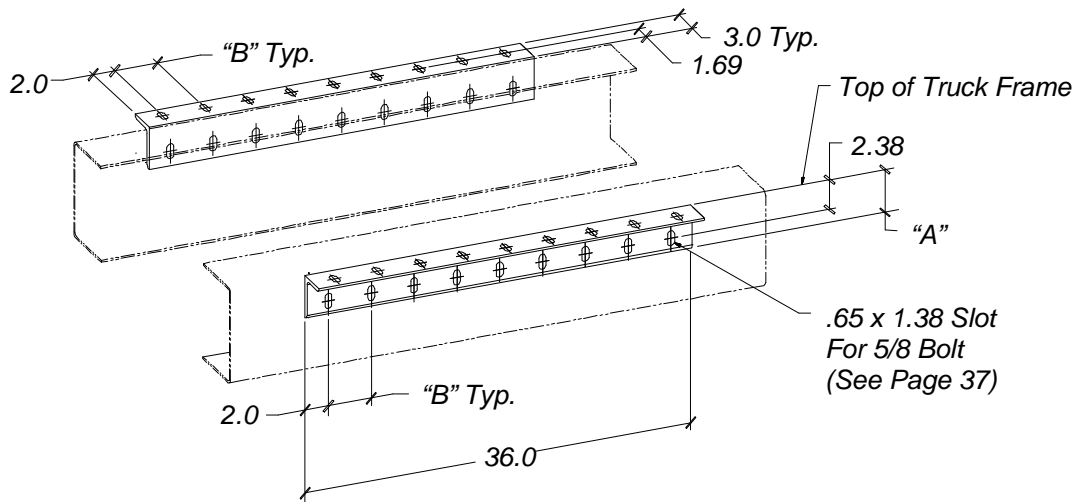
| Mounting Angle To Tractor Frame Kits | | | |
|---|----------------------|---------------|-------------------------------------|
| <i>Model Type</i> | <i>Fastener Qty.</i> | <i>Weight</i> | JOIST <i>Order Number</i> |
| <i>6"/8" Slider</i> | 8 | 4 lbs. | SK 75001-08 |
| <i>Stationary</i> | 10 | 5 lbs. | SK 75001-10 |
| <i>12" Slider</i> | | | |
| <i>18"/16" Slider</i> | 12 | 6 lbs. | SK 75001-12 |
| <i>24" Slider</i> | 14 | 6 lbs. | SK 75001-14 |
| <i>36" Slider</i> | 16 | 7 lbs. | SK 75001-16 |
| <i>48" Slider</i> | 18 | 8 lbs. | SK 75001-18 |



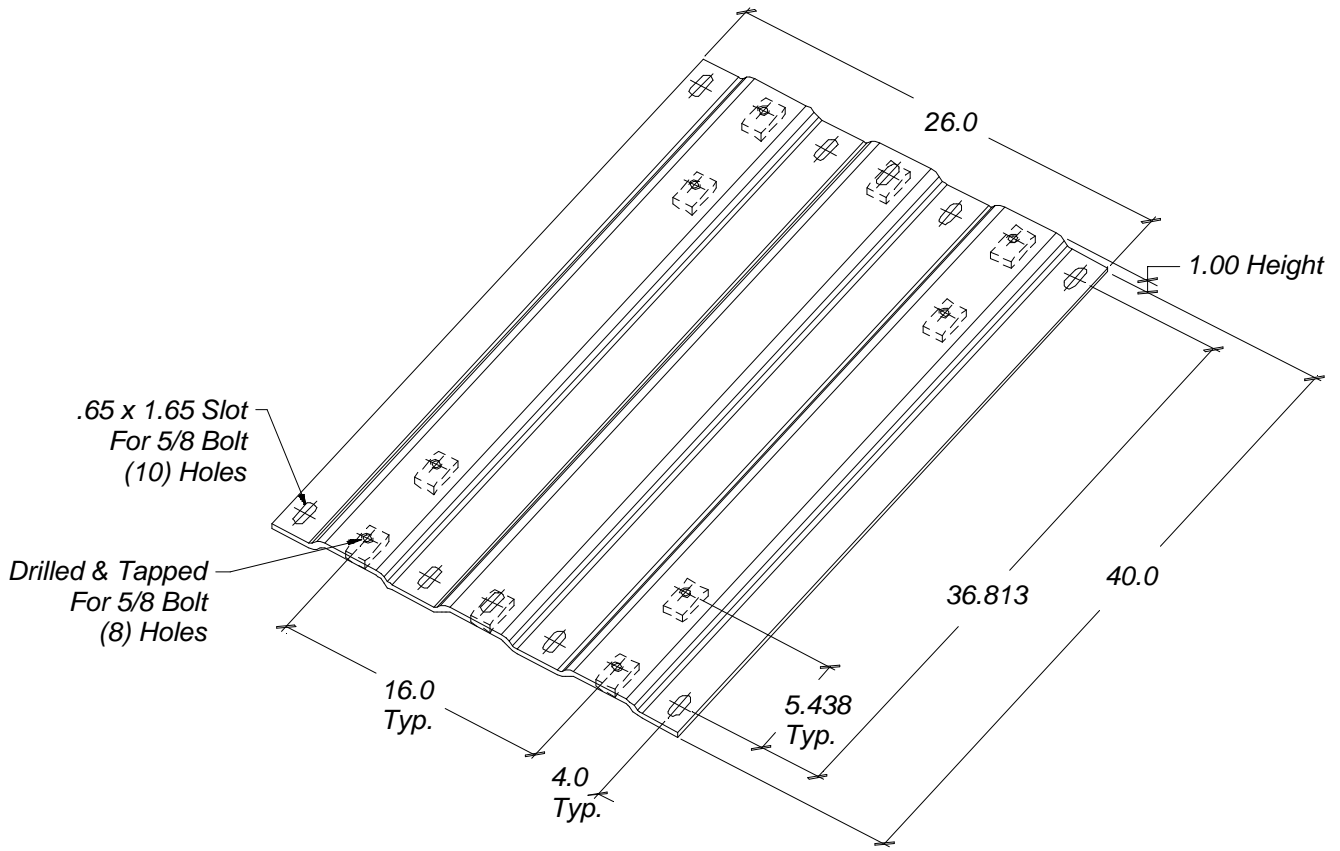
| Sliding Outboard Mounting Angle | | | | | | |
|---|-----------|--------------|------------|---------|------------------|--------------------|
| Material Type | Thickness | Slide Travel | "L" Length | "A" Leg | Weight Per Angle | JOIST Order Number |
| Structural ASTM-A-36 | 5/16 | 8 | 36 1/4 | 4" | 20 1/2 lbs. | SK 75007-08 |
| | | 12 | 40 1/4 | 4" | 22 lbs. | SK 75007-12 |
| | | 16 | 44 1/4 | 4" | 24 1/2 lbs. | SK 75007-16 |
| | | 24 | 52 1/4 | 4" | 29 lbs. | SK 75007-24 |
| | | 36 | 64 1/4 | 4" | 35 1/2 lbs. | SK 75007-36 |
| | | 48 | 76 1/4 | 4" | 42 lbs. | SK 75007-48 |
| | 3/8 | 8 | 36 1/4 | 4" | 23 1/2 lbs. | SK 75008-08 |
| | | 12 | 40 1/4 | 4" | 26 1/4 lbs. | SK 75008-12 |
| | | 16 | 44 1/4 | 4" | 29 lbs. | SK 75008-16 |
| | | 24 | 52 1/4 | 4" | 34 lbs. | SK 75008-24 |
| | | 36 | 64 1/4 | 4" | 42 lbs. | SK 75008-36 |
| | | 48 | 76 1/4 | 4" | 50 lbs. | SK 75008-48 |
| Formed High Strength Low Alloy Steel | 5/16 | 8 | 36 1/4 | 3 1/2" | 17 1/2 lbs. | SK 75009-08 |
| | | 12 | 40 1/4 | 3 1/2" | 19 1/2 lbs. | SK 75009-12 |
| | | 16 | 44 1/4 | 3 1/2" | 21 1/2 lbs. | SK 75009-16 |
| | | 24 | 52 1/4 | 3 1/2" | 25 1/2 lbs. | SK 75009-24 |
| | | 36 | 64 1/4 | 3 1/2" | 31 lbs. | SK 75009-36 |
| | | 48 | 76 1/4 | 3 1/2" | 37 lbs. | SK 75009-48 |
| | 3/8 | 8 | 36 1/4 | 3 1/2" | 22 lbs. | SK 75010-08 |
| | | 12 | 40 1/4 | 3 1/2" | 24 lbs. | SK 75010-12 |
| | | 16 | 44 1/4 | 3 1/2" | 26 lbs. | SK 75010-16 |
| | | 24 | 52 1/4 | 3 1/2" | 31 lbs. | SK 75010-24 |
| | | 36 | 64 1/4 | 3 1/2" | 38 lbs. | SK 75010-36 |
| | | 48 | 76 1/4 | 3 1/2" | 45 lbs. | SK 75010-48 |



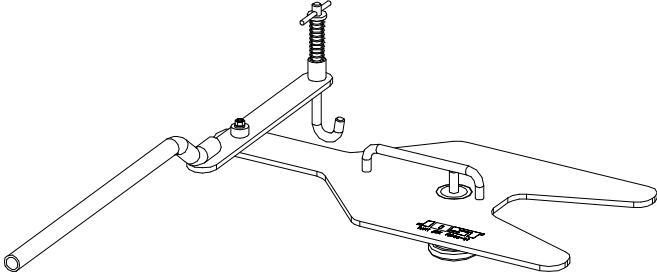
| Stationary Inboard Mounting Angle | | | | | |
|--|-----------|---------|-------------|------------------|------------------------------|
| Material Type | Thickness | "A" Leg | "B" Spacing | Weight Per Angle | JOIST Order Number |
| Structural ASTM-A-36 | 5/16 | 4" | 4" | 23 1/2 lbs. | SK 75003-31 |
| | 3/8 | 4" | 4" | 28 1/2 lbs. | SK 75003-38 |
| Formed High Strength Low Alloy Steel | 5/16 | 3 1/2" | 2" | 20 1/2 lbs. | SK 75004-31 |
| | 3/8 | 3 1/2" | 2" | 25 lbs. | SK 75004-38 |



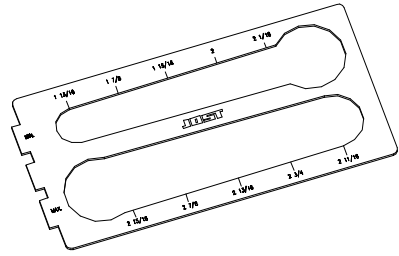
| Stationary Outboard Mounting Angle | | | | | |
|--|-----------|---------|-------------|------------------|------------------------------|
| Material Type | Thickness | "A" Leg | "B" Spacing | Weight Per Angle | JOIST Order Number |
| Structural ASTM-A-36 | 5/16 | 4" | 4" | 19 1/2 lbs. | SK 75005-31 |
| | 3/8 | 4" | 4" | 24 lbs. | SK 75005-38 |
| Formed High Strength Low Alloy Steel | 5/16 | 3 1/2" | 2" | 16 lbs. | SK 75006-31 |
| | 3/8 | 3 1/2" | 2" | 20 lbs. | SK 75006-38 |



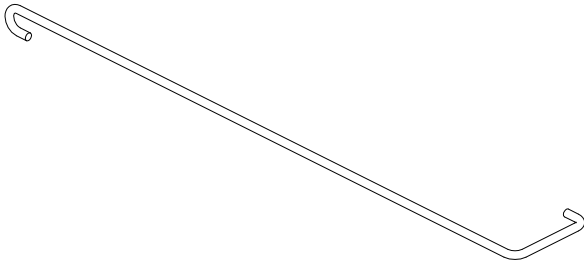
| CORRUGATED MOUNTING PLATE | |
|----------------------------------|---------|
| JOIST Order Number | Weight |
| SK 75011-00 | 99 lbs. |



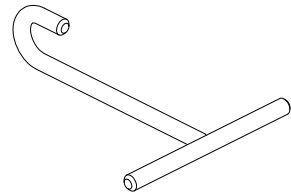
| FIFTH WHEEL LOCK TESTER | |
|-------------------------|---------|
| JUST | |
| Order Number | Weight |
| SK 76000-00 | 30 lbs. |



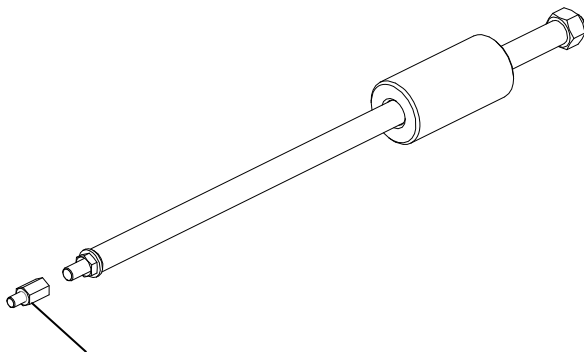
| KINGPIN GAGE | |
|--------------|------------|
| JUST | |
| Order Number | Weight |
| SK 76001-01 | 4 1/2 lbs. |



| FIFTH WHEEL RELEASE HOOK | |
|--------------------------|------------|
| JUST | |
| Order Number | Weight |
| SK 75021-00 | 1 1/4 lbs. |



| DOUBLE COIL SPRING TOOL | |
|-------------------------|---------|
| JUST | |
| Order Number | Weight |
| SK 76003-00 | 1/4 lb. |



1/2-13 tip adapter
Order #SK 76005-08

| BRACKET PIN SLIDE HAMMER | |
|--------------------------|---------|
| JUST | |
| Order Number | Weight |
| SK 76005-01 | 19 lbs. |

Includes
Standard 5/8-11 tip & 1/2-13 tip adapter

Today, JOST fifth wheels are recognized around the world for;

- 1. Durability.**
- 2. Quality.**
- 3. Cost savings.**

JOST landing gear are standard equipment on most trailers in North America and our kingpins and turntables have proven themselves in the toughest conditions.



You can rely on JOST for the personal, flexible service that meets your schedule. With **two manufacturing plants and distribution centers in the U.S.**, along

with thirteen plants and eighteen distribution centers outside of North America, you can count on JOST to have the products you need.

The reasons are simple.

JOST

• Fifth Wheels

• Landing gear

• Kingpins

• Turntables

The right to alter specifications is reserved.

JOST

1770 Hayes Street
Grand Haven, MI 49417
www.jostinternational.com

Ph. (616) 845-7700 (800) 253-5105
Fax (616) 846-0310

LT SKCAT-01 RevL